

CUSTOMER **BT DTT**
 CUSTOMER REFERENCE NUMBER -
 CUSTOMER NOMINAL REFERENCE -

ITEM	SIZE	HEIGHT		BRG	LINK	APPROX FEEDER LENGTH
		MEAN	BASE			
D1	1.2m \emptyset	60.0	-	66°	-	70m
D2	1.2m \emptyset	50.0	-	66°	-	60m

ALL BEARINGS MEASURED EAST OF TRUE NORTH
 ALL SIZES IN METRES
 Tx = TRANSMIT
 Rx = RECEIVE



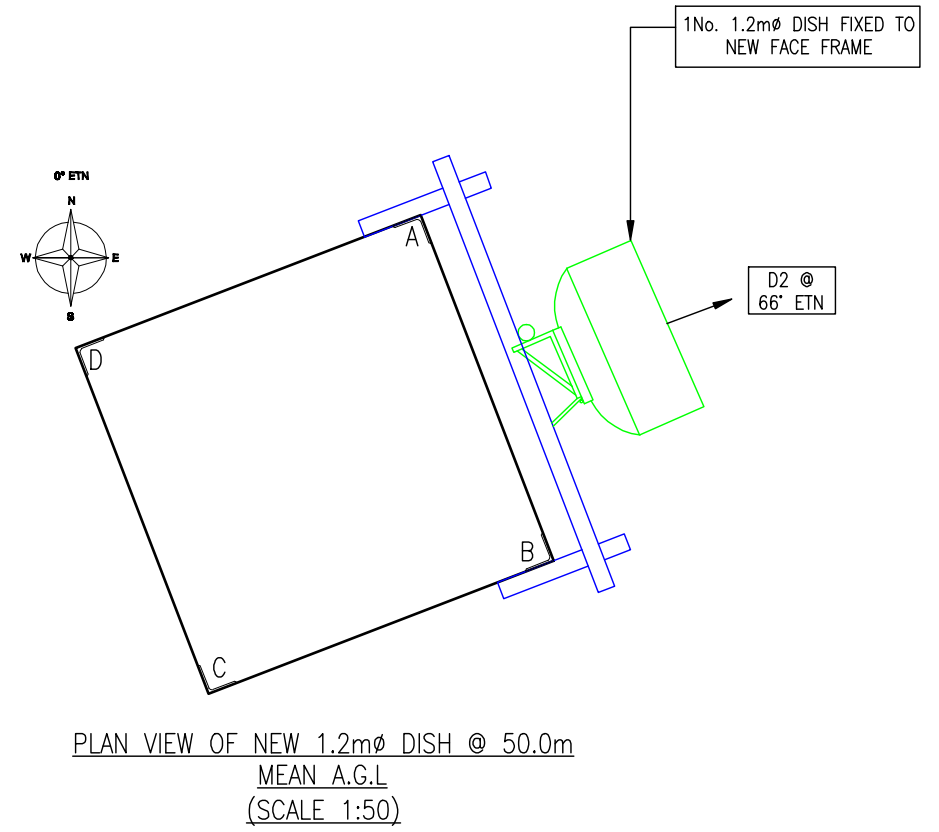
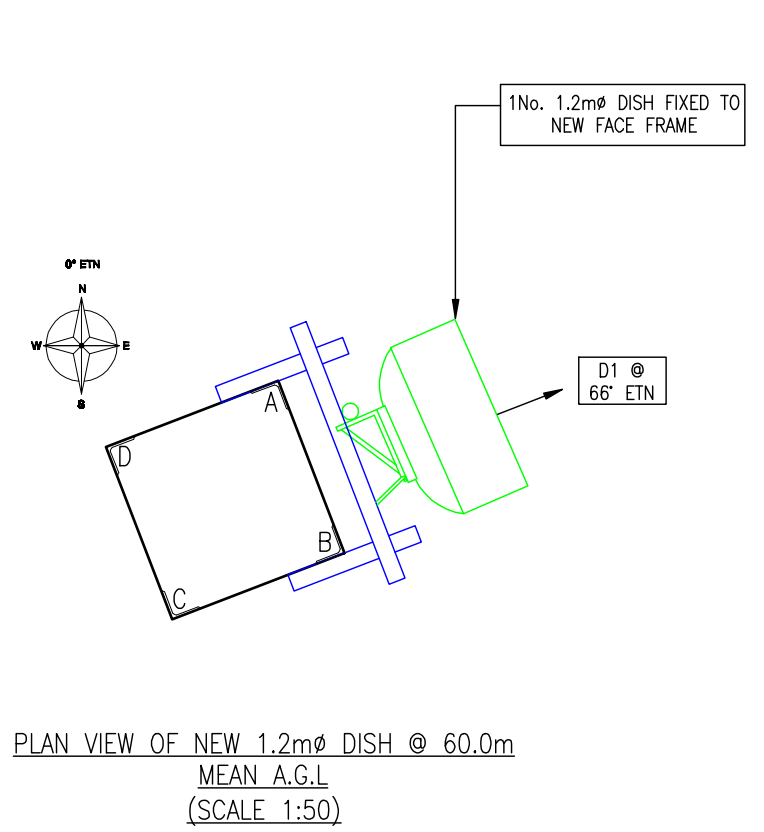
- NOTES**
- DO NOT SCALE DIMENSIONS EXCEPT FOR PLANNING PURPOSES
 - ALL DIMENSIONS IN MILLIMETRES UNLESS STATED OTHERWISE
 - ALL LEVELS ARE IN METRES AND RELATED TO A LOCAL DATUM

Contractor: ARQIVA IN-HOUSE
 Consultant:
 UNIT 2 THE BROOMS
 EMERSONS GREEN
 BRISTOL
 BS16 7FH
 Engineer: GEOFFREY EMSLIE
 01179708746 geoff.emslie@arqiva.com
 Drawing manager:

Iss	Revision	Date	Drn	App
14	Project No. 87831 NEW APPLICATION	12.06.09	GME	DO
13	Project No. 73639 ANTENNA SWAPOUTS	03.06.08	DL	SW
12	Project No. 77738 AS BUILT	30.08.07	BH	DS
11	Project No. 77738 NEW APPLICATION	05.07.07	PM	AB
10	Project No. 71441 DISH LOCATION AMENDED	21.03.07	DL	SW

This drawing is the property of Arqiva Limited and may not be reproduced or disclosed to a third party in any form without written permission

Arqiva Limited
 Crawley Court
 Winchester
 Hampshire
 SO21 2QA
 TEL: 01962 823 434
 FAX: 01962 822 378



Version 6, issued: December 2007
 Except as otherwise noted, faint details indicate locations reserved for other proposals which may be the subject of separate applications.
 Boxed text indicates proposed work

BT DTT			
PROPOSED INSTALLATION HEADFRAME DETAILS			
Scale. 1:50			
Site no. 140918			
site name	ISLES OF SCILLY		
Halangy Downs St Marys Isles of Scilly TR21 ONS			
Eastings and Northings 09110 01240			
NGR: SV 9110 1240			
Date: 23.01.02 Drn: CT/JLS			
TP/dir	client_type	No_issue	App
15192_41_160	M14_14		DO