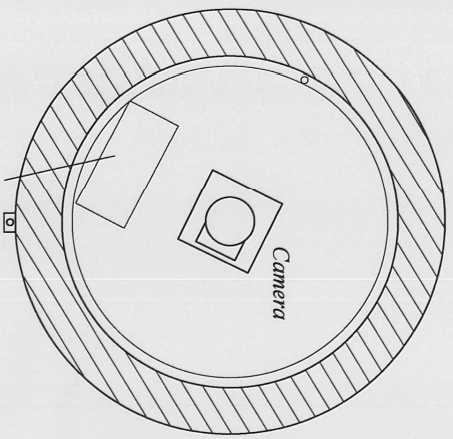
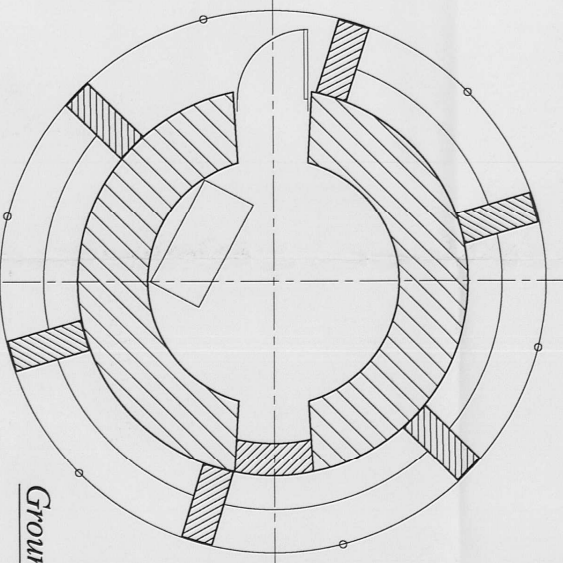


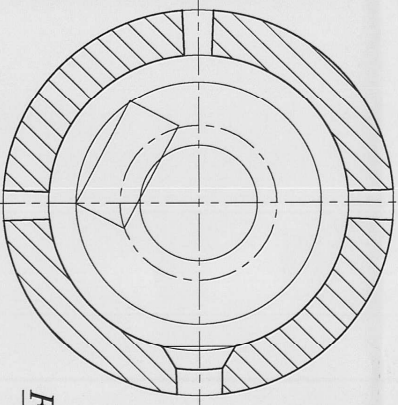
*Second Floor*



*Roof*



*Ground Floor*



*First Floor*

*Buzza Tower  
Buzza  
St. Mary's  
Isles of Scilly*

*Approved Plan*

*Mr Andrew Combes*

RECEIVED BY THE  
PLANNING DEPARTMENT  
13 FEB 2012

Date - February 2012  
Amended -  
Scale - 1:50

PAUL OSBORNE  
CARR THOMAS  
ST. MARY'S, ISLES OF SCILLY.  
TR21 0PT tel (01720) 423066  
Email - paul@scilly.com

**BT-AC-PTP**