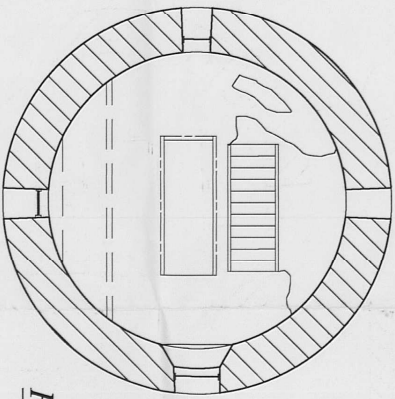
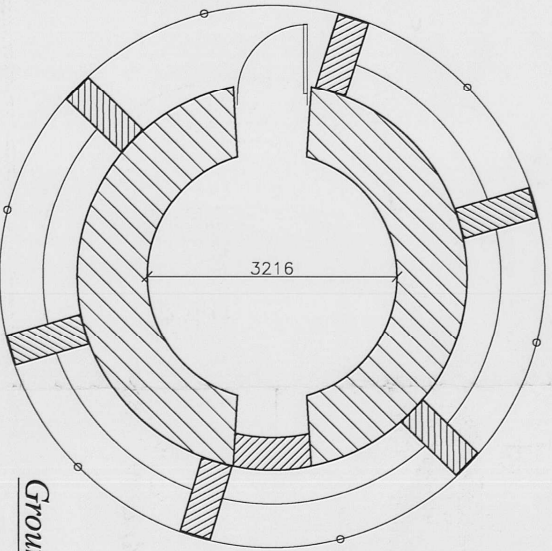


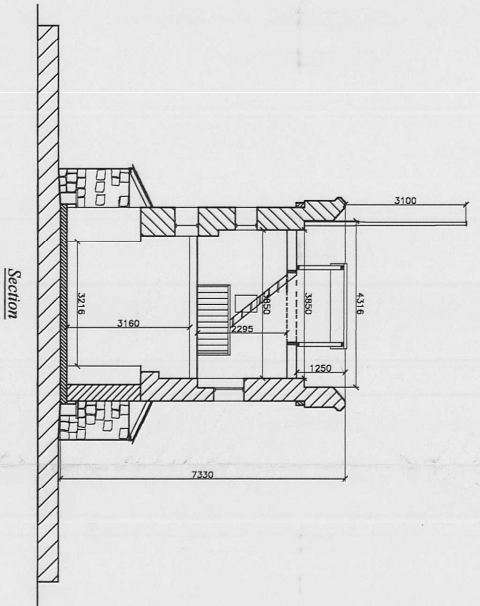
*Roof*



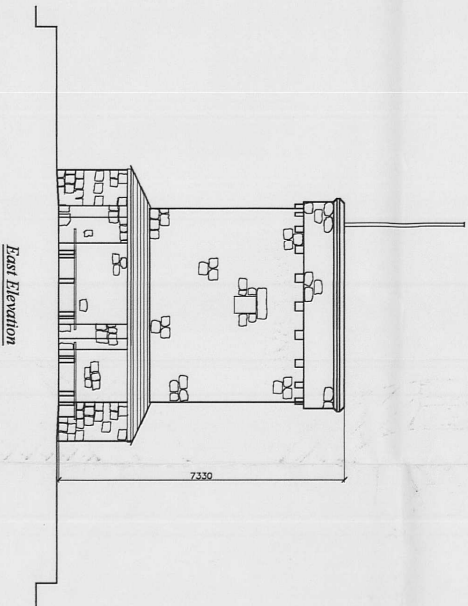
*First Floor*



*Ground Floor*



*Section*



*East Elevation*

RECEIVED BY THE  
PLANNING DEPARTMENT  
22 JAN 2015

Date - February 2012  
Amended -  
Scale - 1 : 100

**PAUL OSBORVE**  
CARR THOMAS  
ST. MARY'S ISLES OF SCILLY  
TR21 0PT tel (01720) 423066  
Email - paul@saitscilly.com

**BT-AC-ET**

**Buza Tower**  
**Buza**  
**St. Mary's**  
**Isles of Scilly**  
**Existing Tower**

**Mr Andrew Combes**