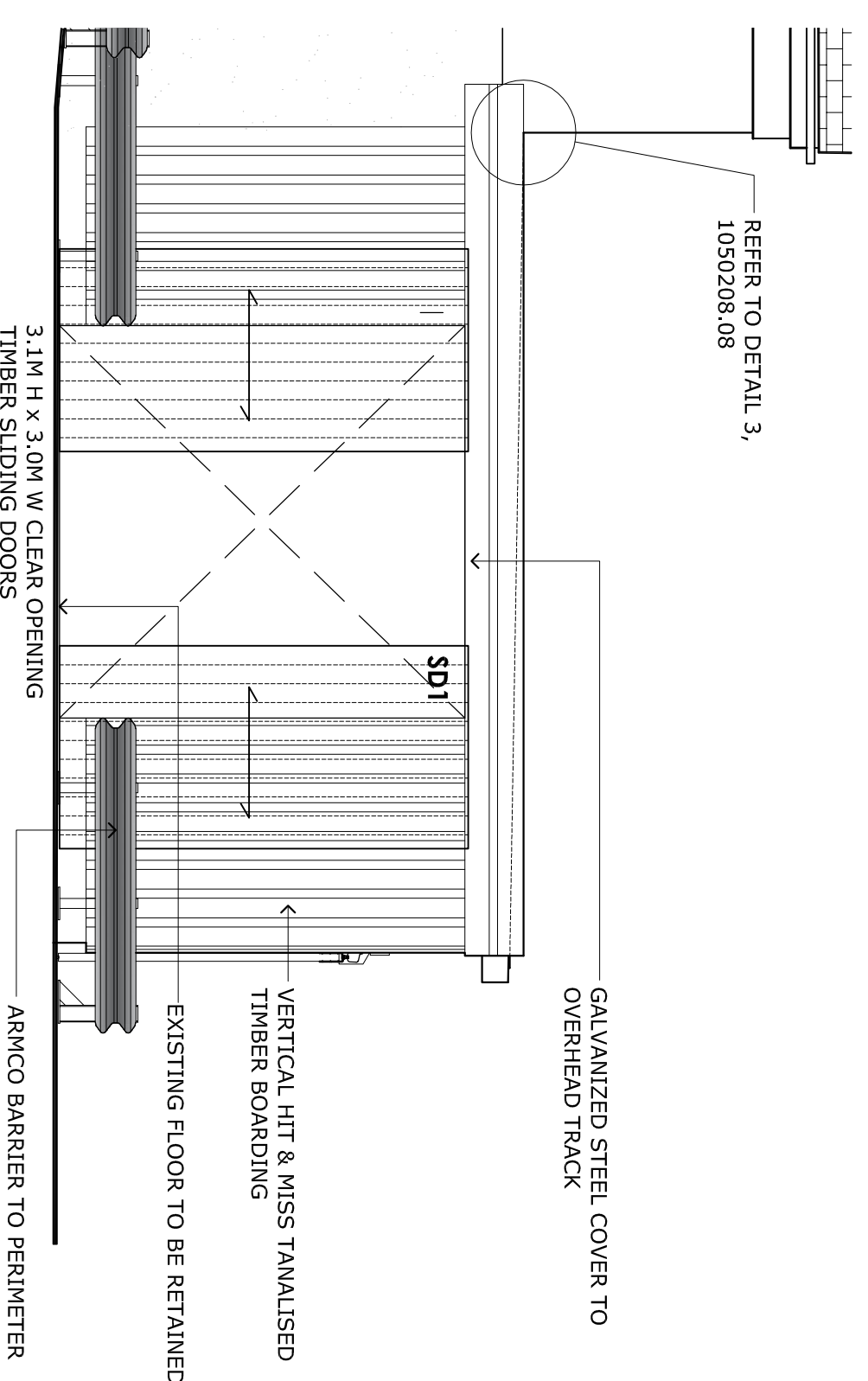


NOTES

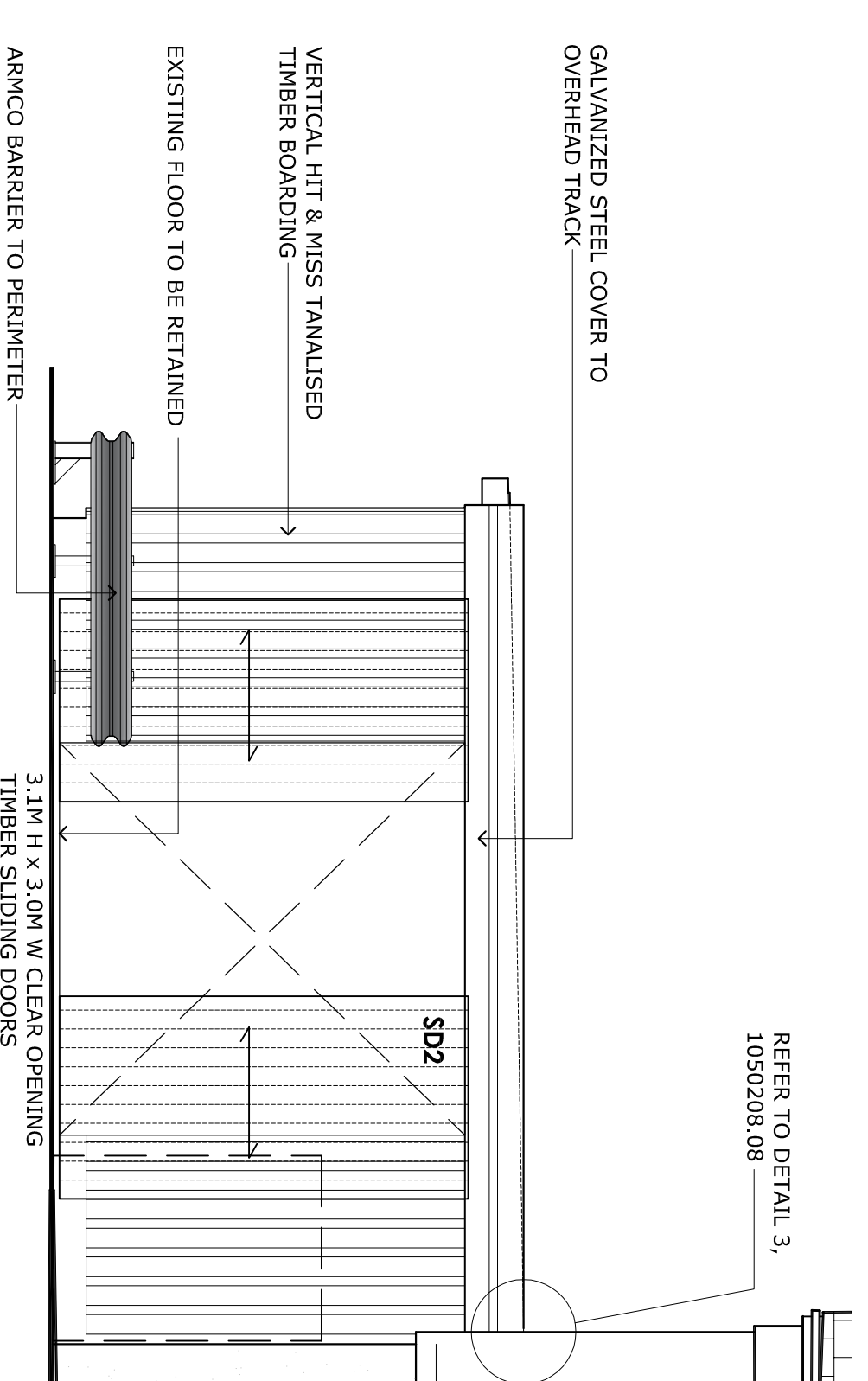
Do not scale from this drawing unless for planning purposes. Figured dimensions only are to be used. All dimensions must be checked on site by the contractor prior to the commencement of any fabrication or work. In conjunction with specialist consultant drawings, any discrepancy between drawings is to be brought to the attention of Smiths Gore prior to the commencement of any fabrication or building works. This drawing is for information only and may not be reproduced without the expressed permission.

REVISIONS

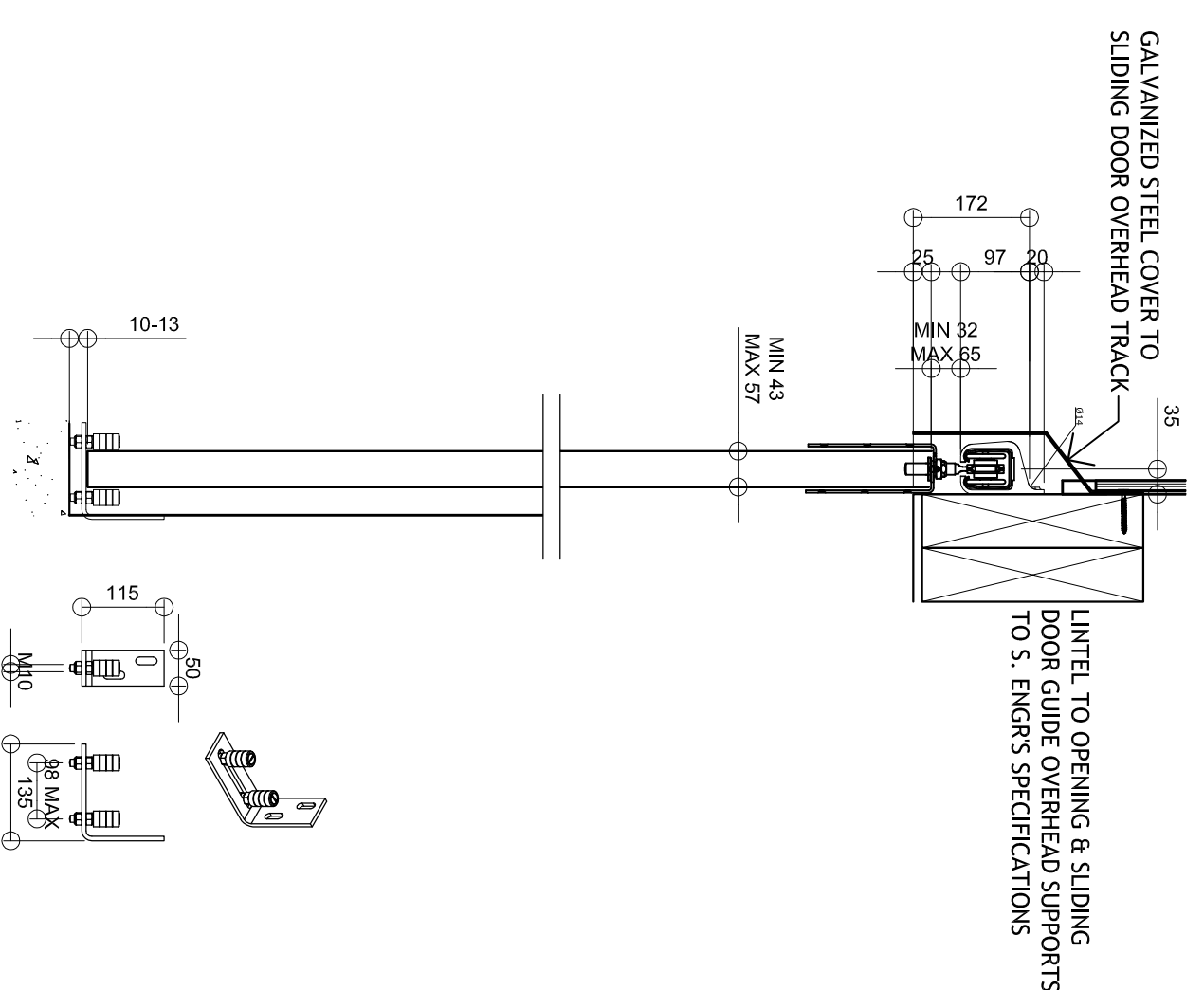
| REV | NOTE / DRAWN BY | DATE |
|-----|---|----------|
| A | ARMCO BARRIERS ADDED TO PERIMETER, DOORS TO WEST ELEVATION TO BE 2.0m WIDE, DOOR TRACK (REVISED) (05) | 16.02.15 |



NORTH ELEVATION 1:50



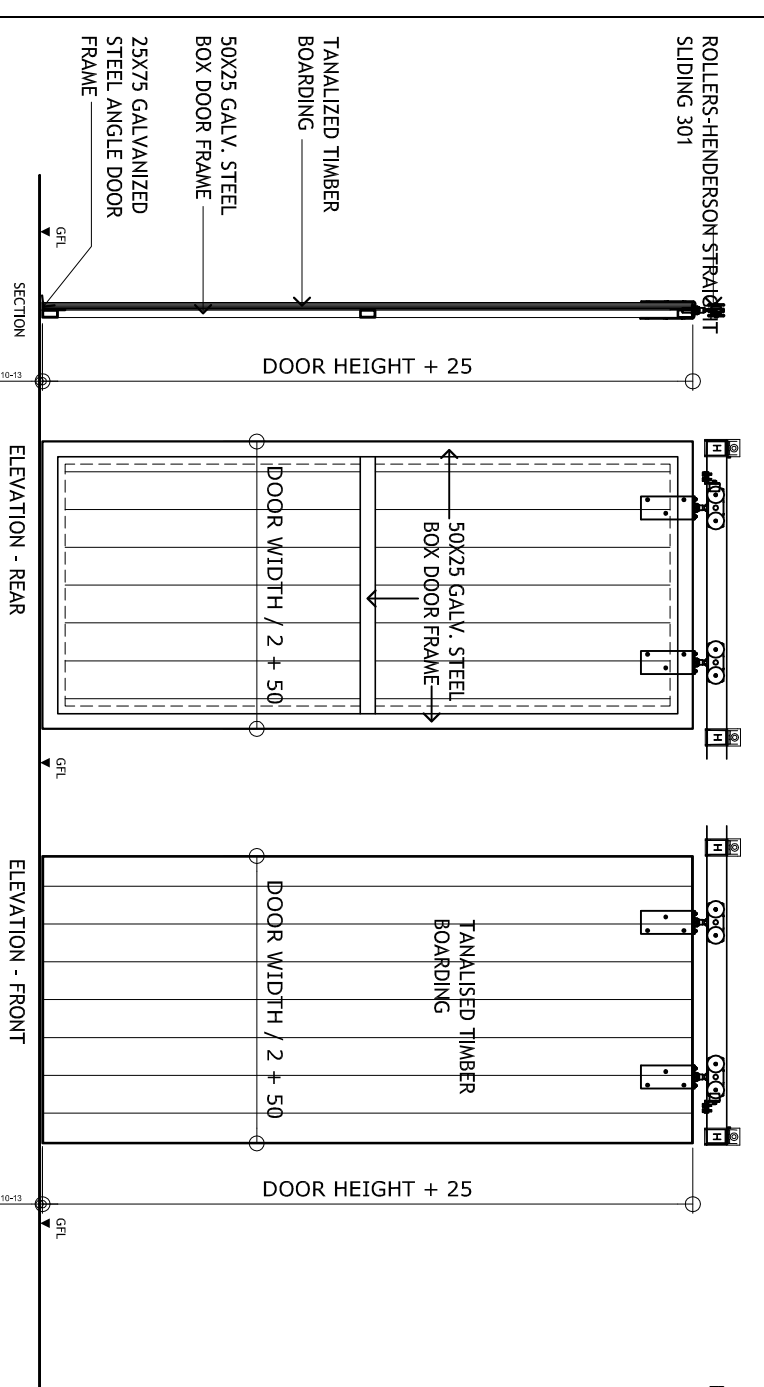
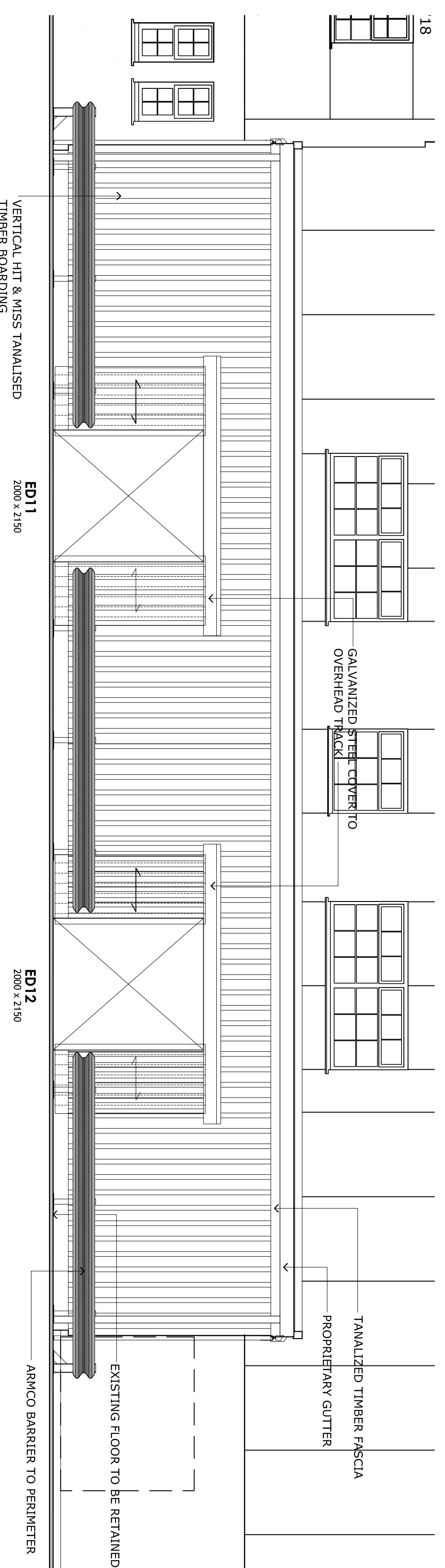
SOUTH ELEVATION 1:50



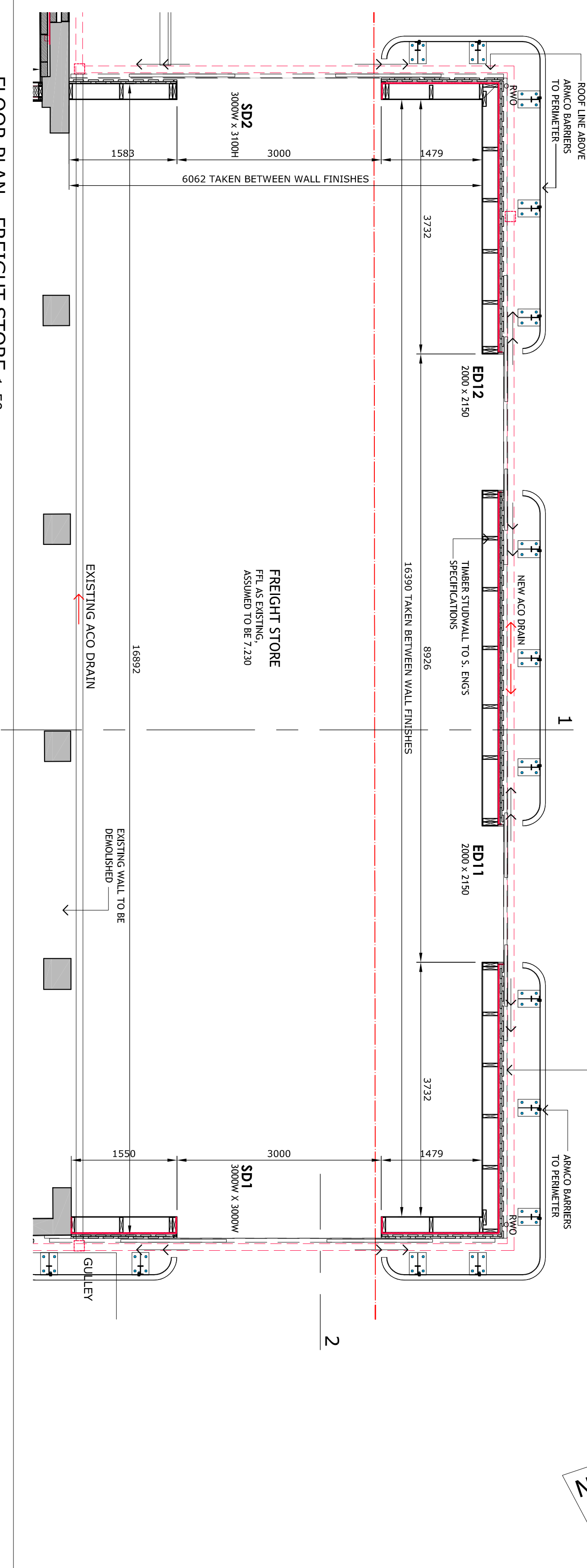
CLADDING DETAIL 1:10

WALL MOUNTED DOOR TRACK DETAIL 1:10

WEST ELEVATION 1:50



TYPICAL SLIDING DOOR DETAILS 1:25



FLOOR PLAN - FREIGHT STORE 1:50

SMITHSGORE
smithsgore.co.uk

PROJECT TITLE
HARBOURSIDE BUILDINGS, THE QUAY
ST MARY'S, ISLES OF SCILLY

CLIENT
KIER CONSTRUCTION

DRAWING TITLE
DETAILS TO FREIGHT STORE

EXTENSION - 1

SCALE: PAPER SIZE DRAWING NUMBER REVISION
1:50/1:10 @A1 1050208-07 A

DRAWING STATUS FOR CONSTRUCTION

DRAWN BY: DB/SO CHECKED BY: PW/O DATE: JAN 14

Lemon Villa
11, O'BRIEN STREET
DUBLIN 1
01 872 2244
01 872 2249
01 872 2250

RICS