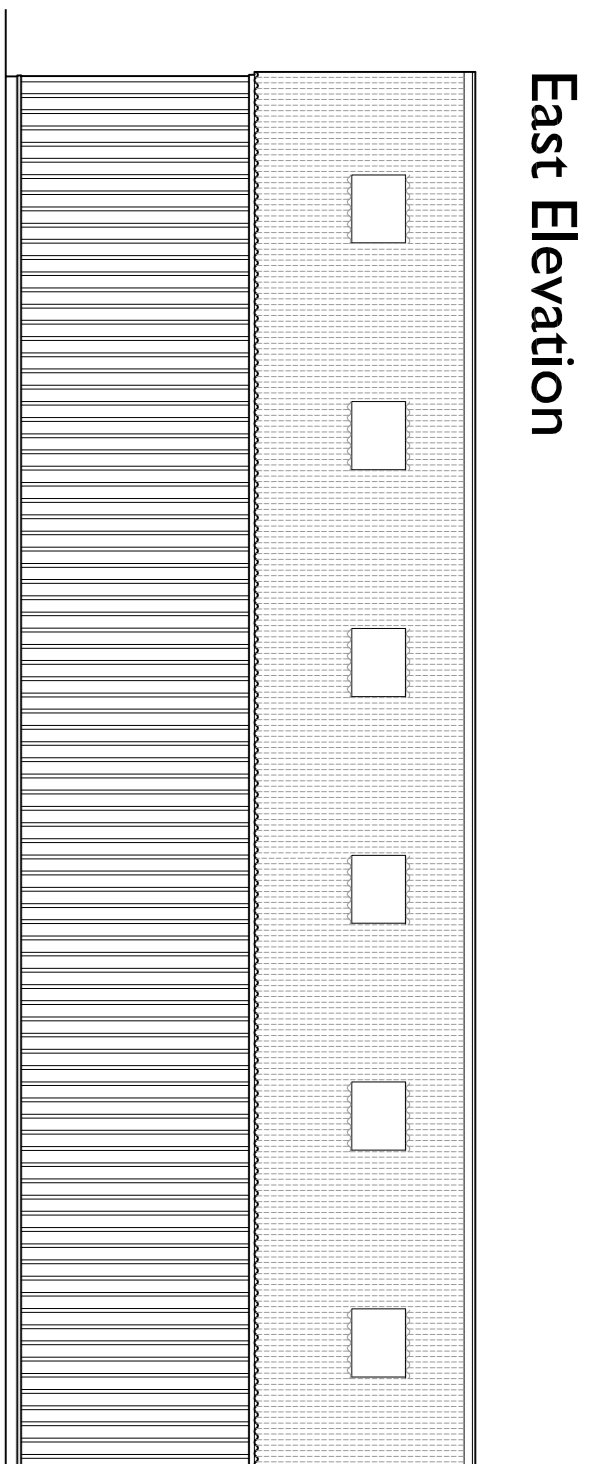
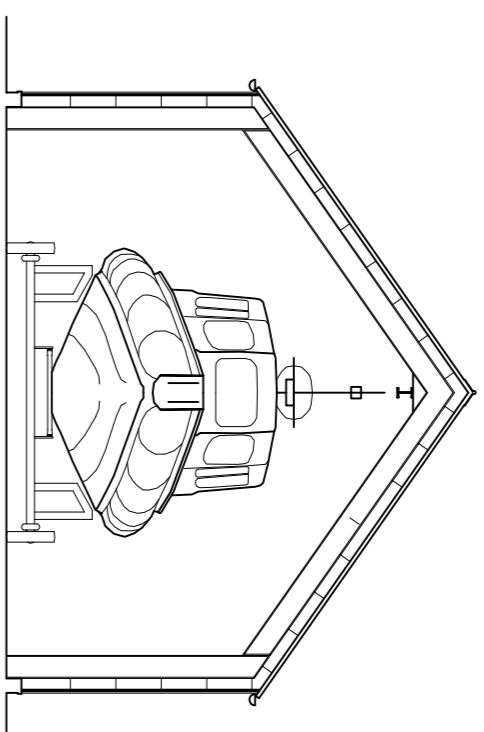


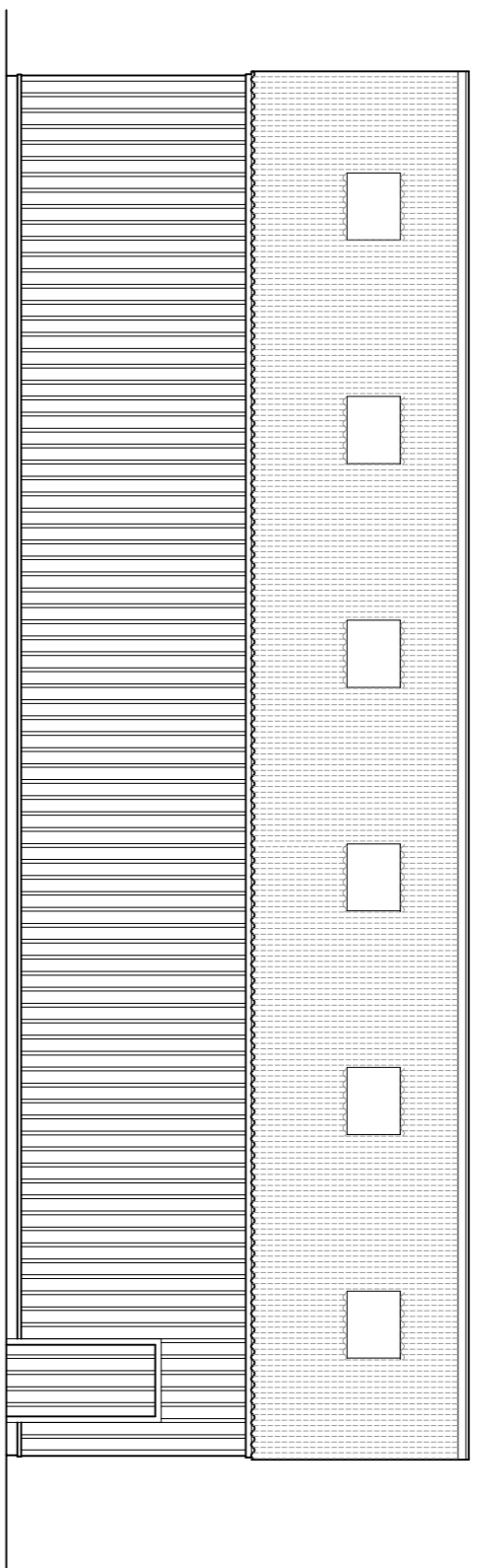
South Elevation



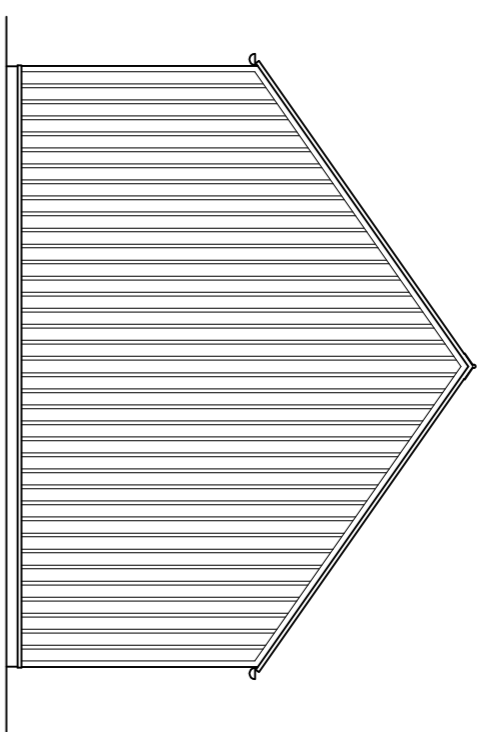
East Elevation



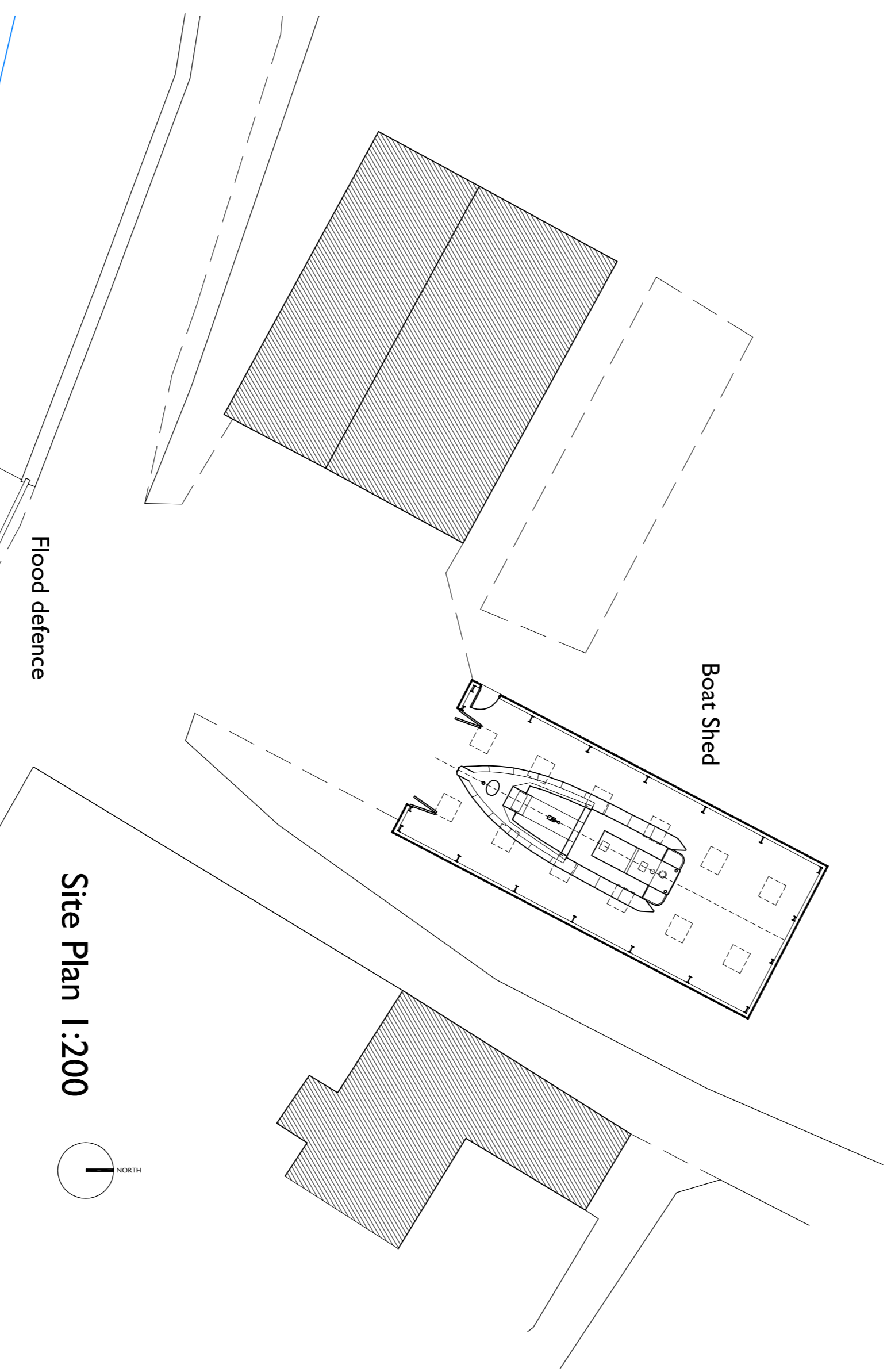
Section



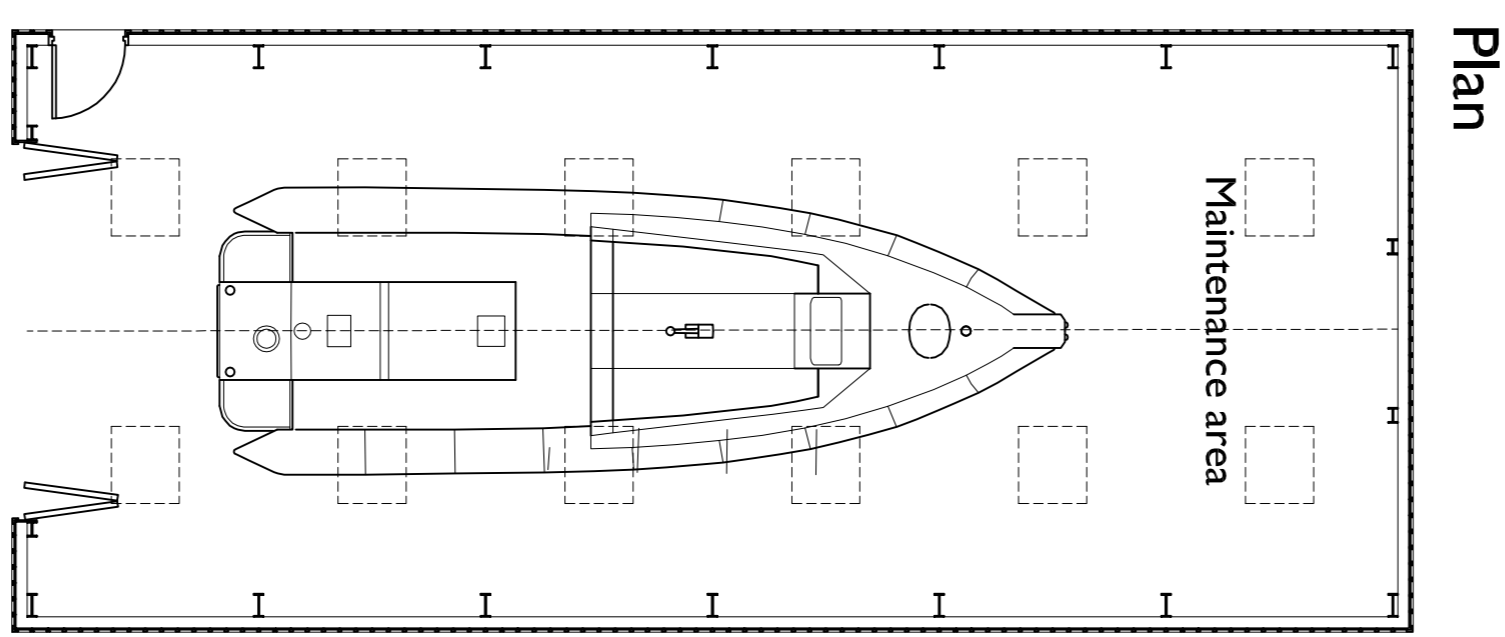
West Elevation



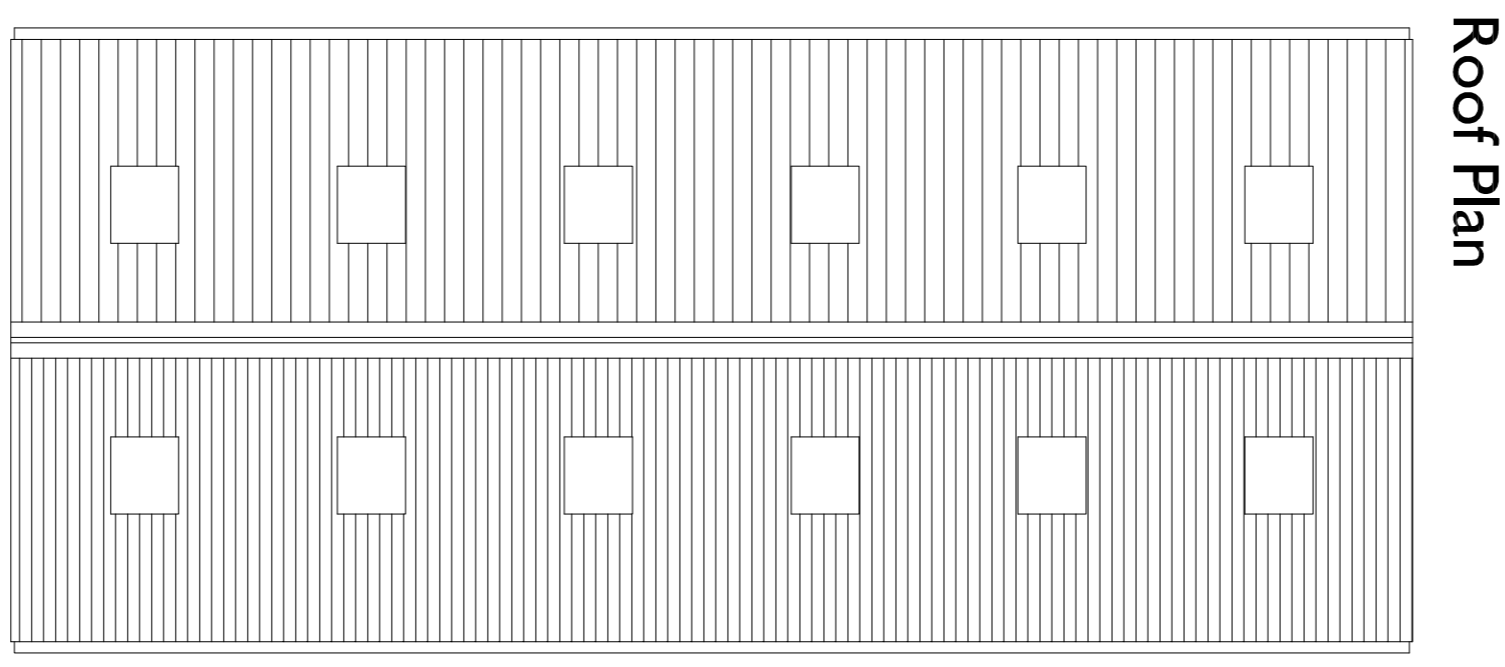
North Elevation



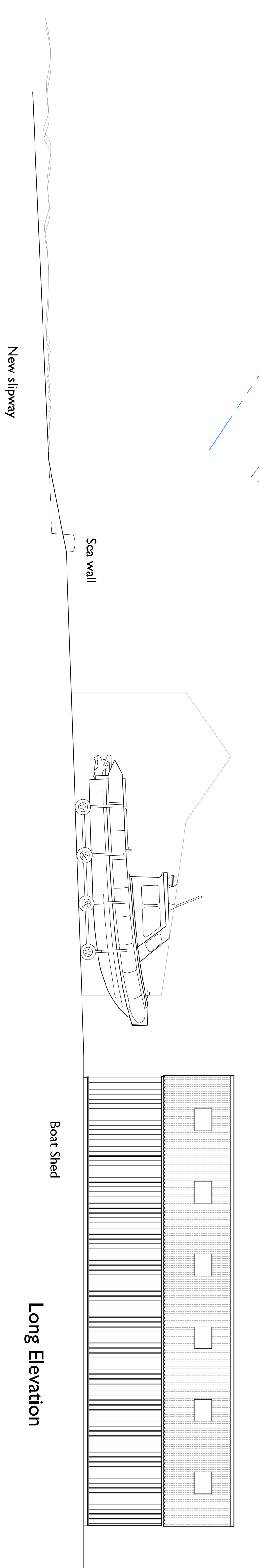
Site Plan 1:200



Plan



Roof Plan



Long Elevation

Rev. A - Slipway altered - 28.07.15
Do not scale from this drawing use figured dimensions only

PROJECT Boat Shed, New Grimsby

DRAWING Plans etc.

DRAWING NO. 3815-PL-01

SCALE 1:100 @ A1 DATE Jul 2015

Ilewellyn harker
ARCHITECTS

NONI WAIN AND PARTNERS ARCHITECTS LTD
17-19, RIVERSIDE, NEW GRIMSBY, LINCOLN
© Ilewellyn harker architects 2015