

OCTAGONAL SUMMERHOUSES Ø 400 - 500 - 600 - 730 cm



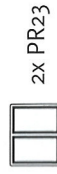
STANDARD MODEL

PRIMA GRAND FOUR

Ø 400 cm

Articlenumber PG12

Window

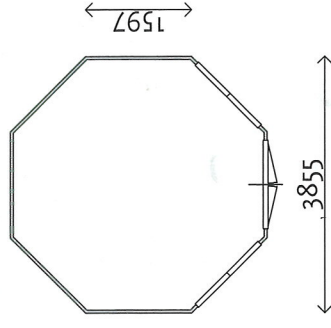
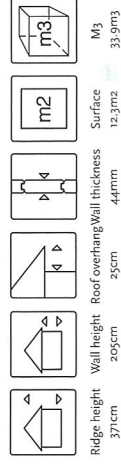


2x PR23

Door



1x PE24



EXAMPLE

Door



4x PE28H

Ø 730 cm

CREATE YOUR OWN SUMMERHOUSE IN JUST 3 STEPS:

- 1 TAKE THE PRICE OF THE Ø (SIZE) FROM THE PRICE LIST (see page 1)**
- 2 ADD THE PRICE OF YOUR CHOSEN DOOR AND WINDOW**
- 3 CHOOSE FURTHER OPTIONS YOU MAY REQUIRE (for example a floor or colour treatment)**