

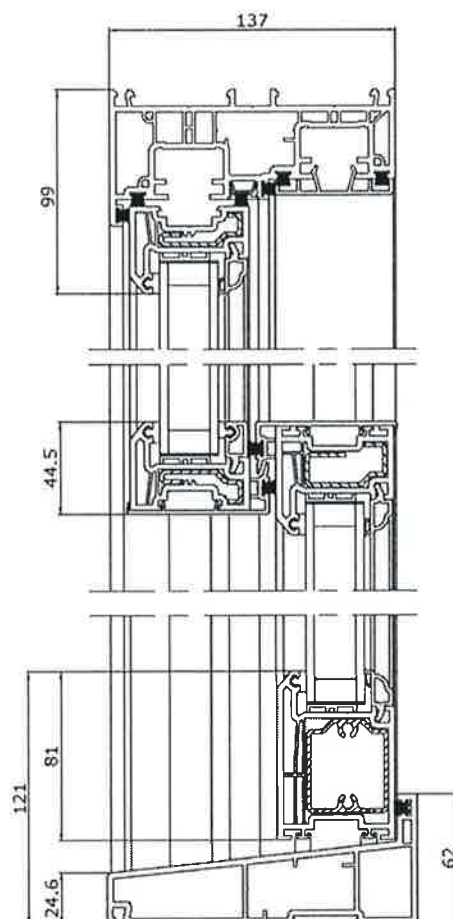
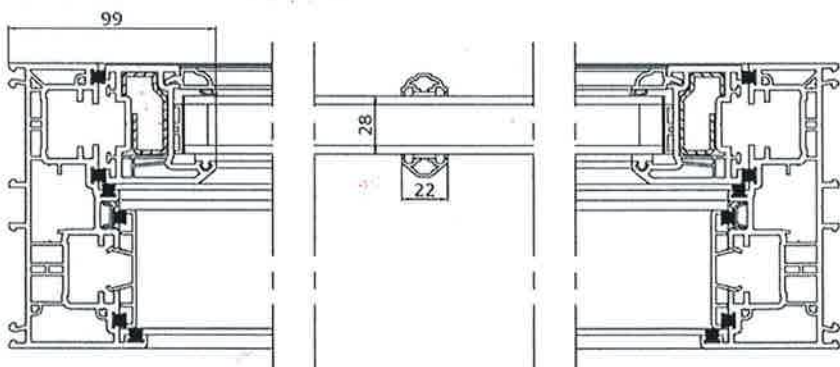
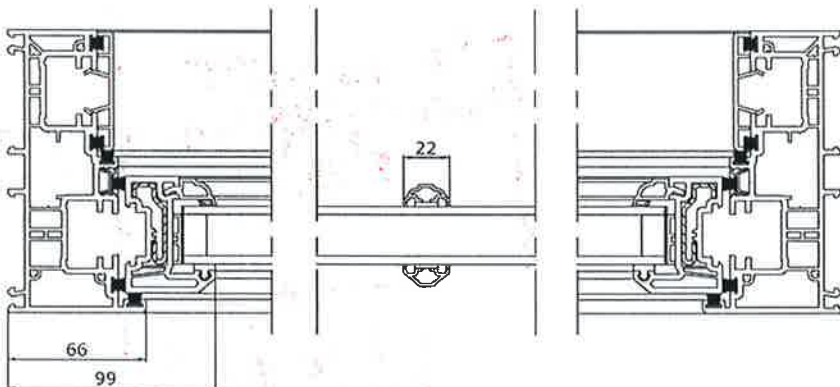
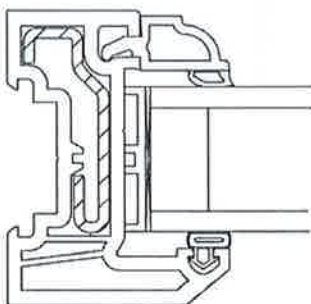
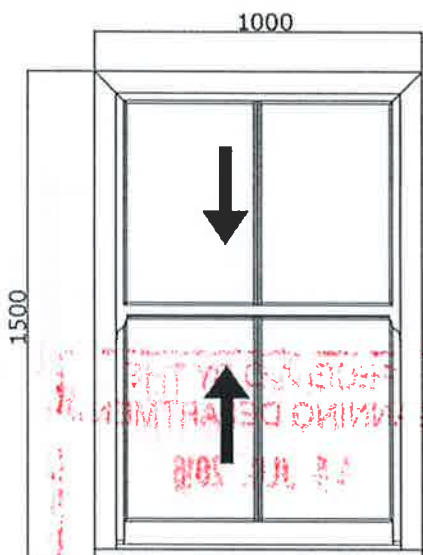
# Technical drawings

*Heritage*  
rose

UK exposure category	Air permeability		Watertightness		Resistance to wind load			
	Class	Maximum test pressure	Class	Maximum test pressure	Class	P1	P2	P3
2000	3	600 Pa	7A	600 Pa	A5	2000	1000	3000

Maximum Sizes (White profile):  
 Slim/Intermediate Sash Option 1500mm X 3000mm  
 Intermediate/Large Sash Option 1800mm X 3500mm

RECEIVED BY THE  
 PLANNING DEPARTMENT  
 18 JUL 2015



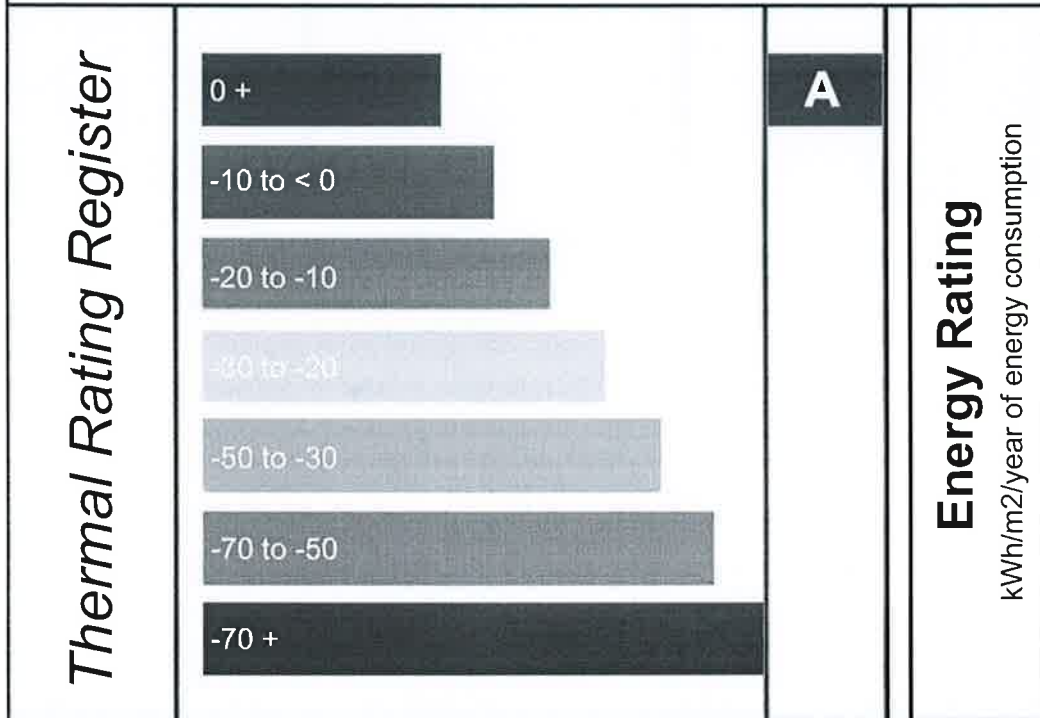
# Window Energy Rating

Roseview Windows

PVC-U Sliding Sash A Rated Window

Reg No. 0725-002A

Date.22/07/2011



The Window Energy Rating is a relative rating based on a notional house and windows in an average UK location. Actual energy performance will vary with building detailing, usage, local climate and internal temperature.

RECEIVED BY THE  
PLANNING DEPARTMENT  
18 JUL 2016

**certass**



Self Assessment and Auditing Made Easy



**To Check this label is current visit:  
[www.thermalratingregister.org](http://www.thermalratingregister.org)**

## Technical Data

Rehau S719 A1 Window  
 Partial Steel Reinforcement  
 Planitherm Total+/Diamant  
 Super Spacer/Argon  
 Simulator TRR000, Report Ref:CU 10232-8

RECEIVED BY THE  
 PLANNING DEPARTMENT  
 18 JUL 2015

**All above specifications achieve a 'A' rated window**

Glazing Sealants	Polysulphide & Polyurethane sealant Conductivity 0.4, Hot Melt Butyl Conductivity 0.25, depth 5mm to a +/- 2mm tolerance unless otherwise stated
Unit Glass Makeup	4/20/4 any gas fill assumed at 90%

The Thermal Rating Register is a product certification scheme;  
 rating the thermal performance for window and door products.

**WER = 196.7\*(1-f)\*gglass - 68.5\*(U+0.0165\*AL)**