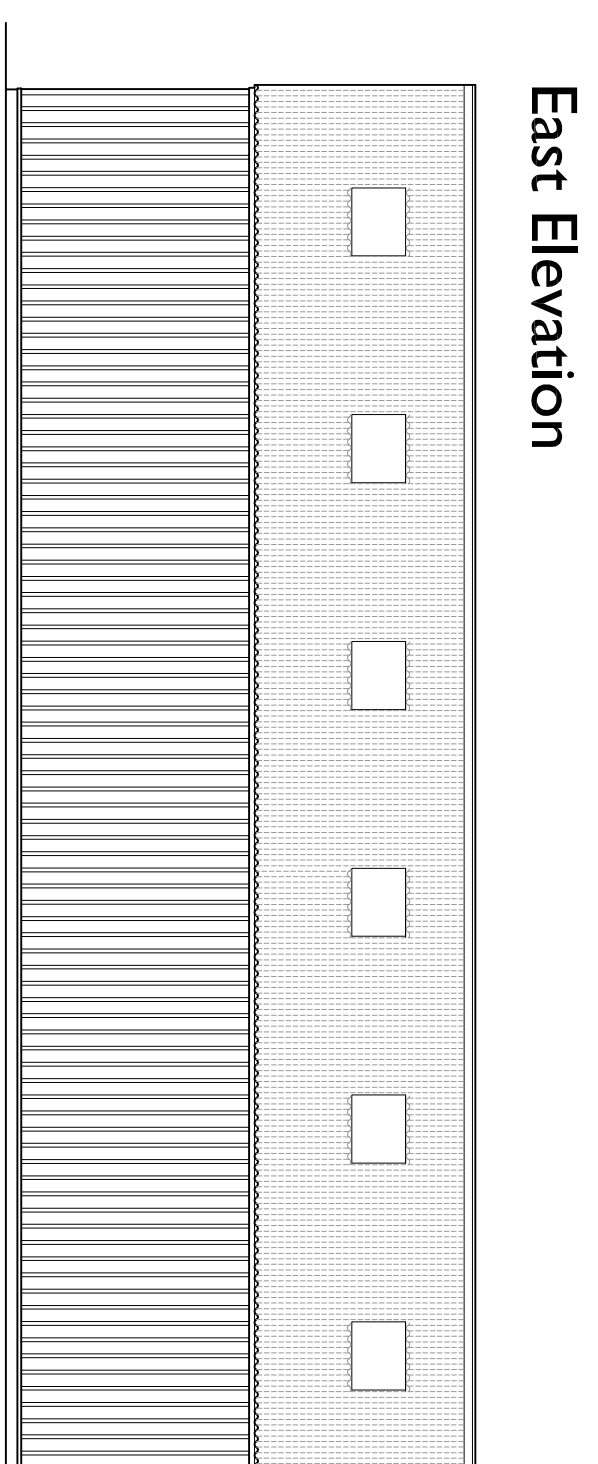
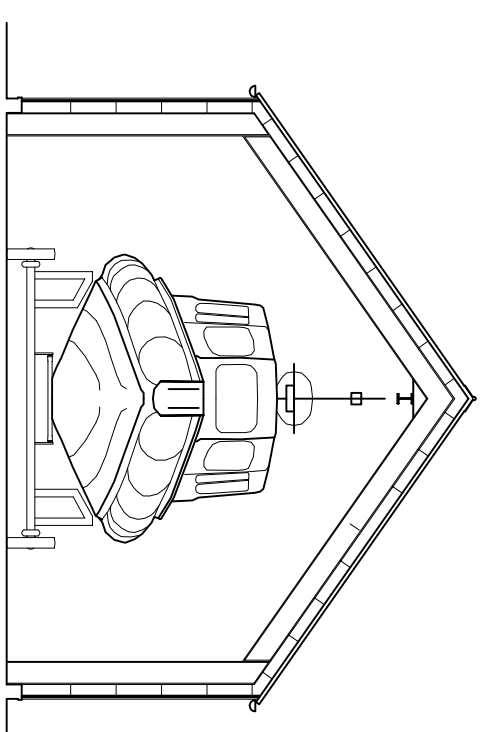


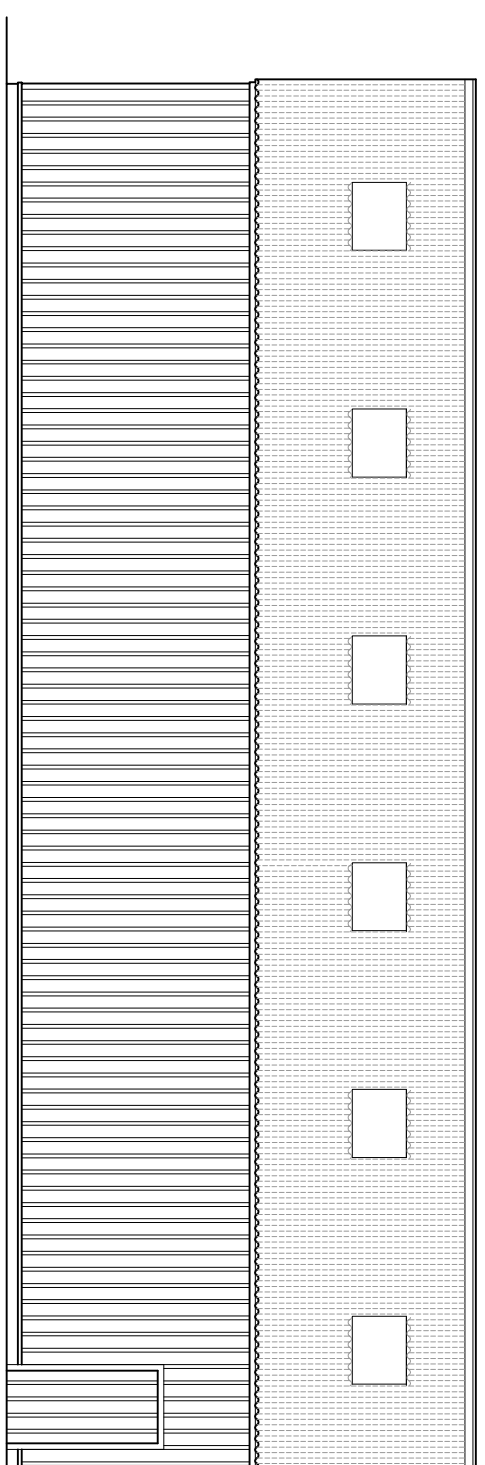
South Elevation



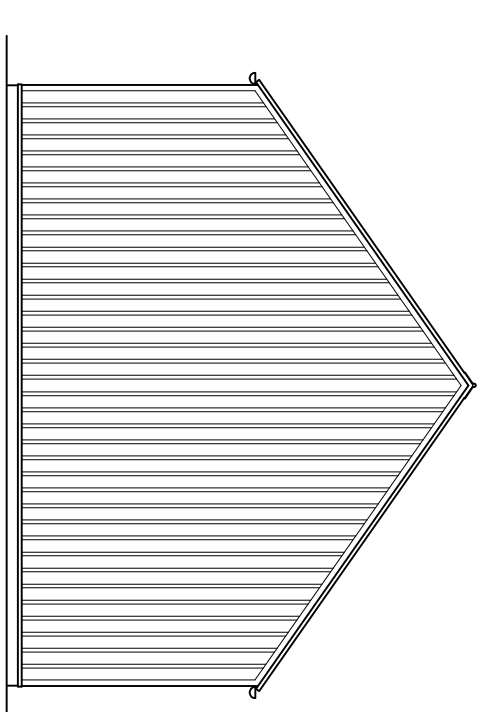
East Elevation



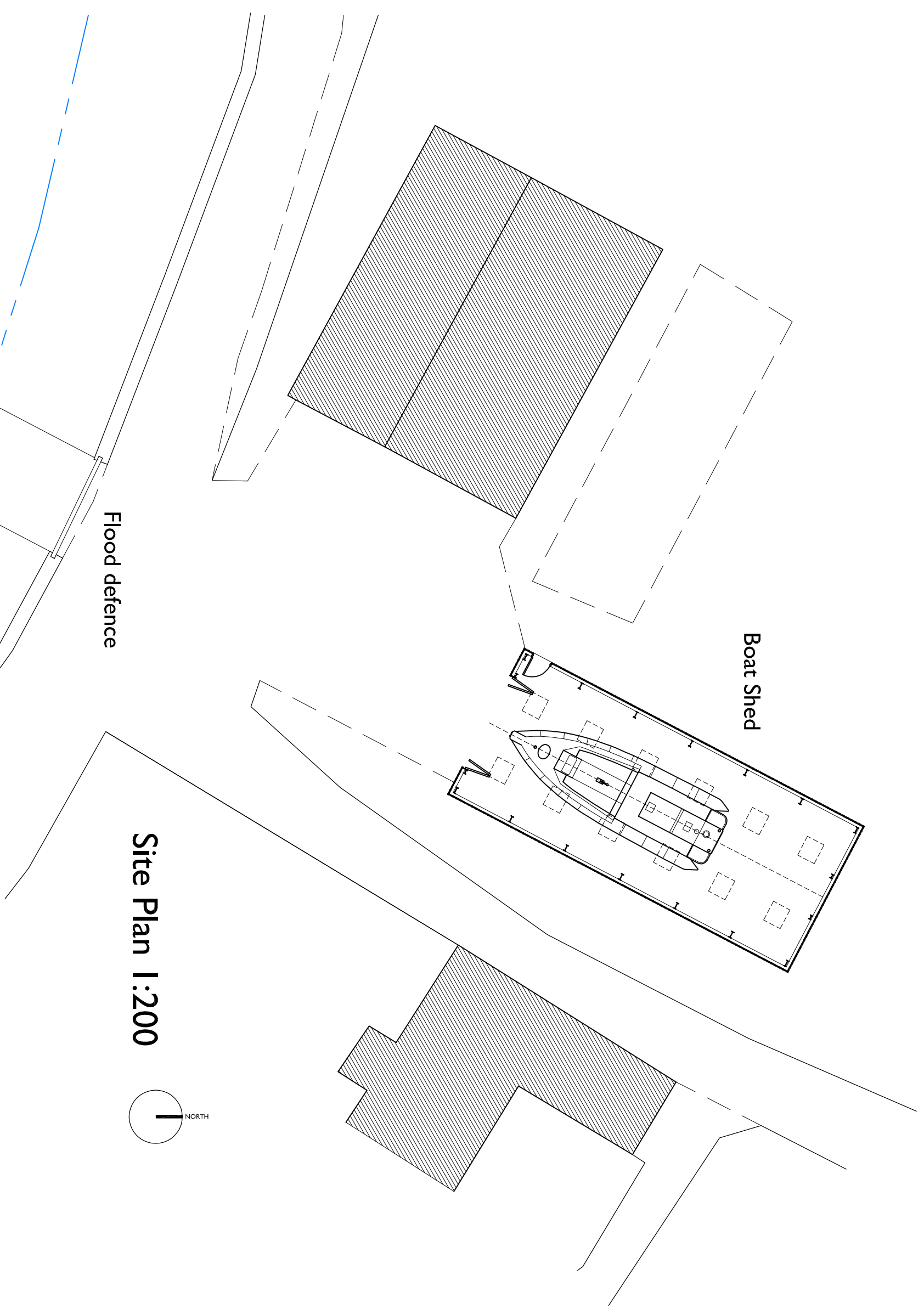
Section



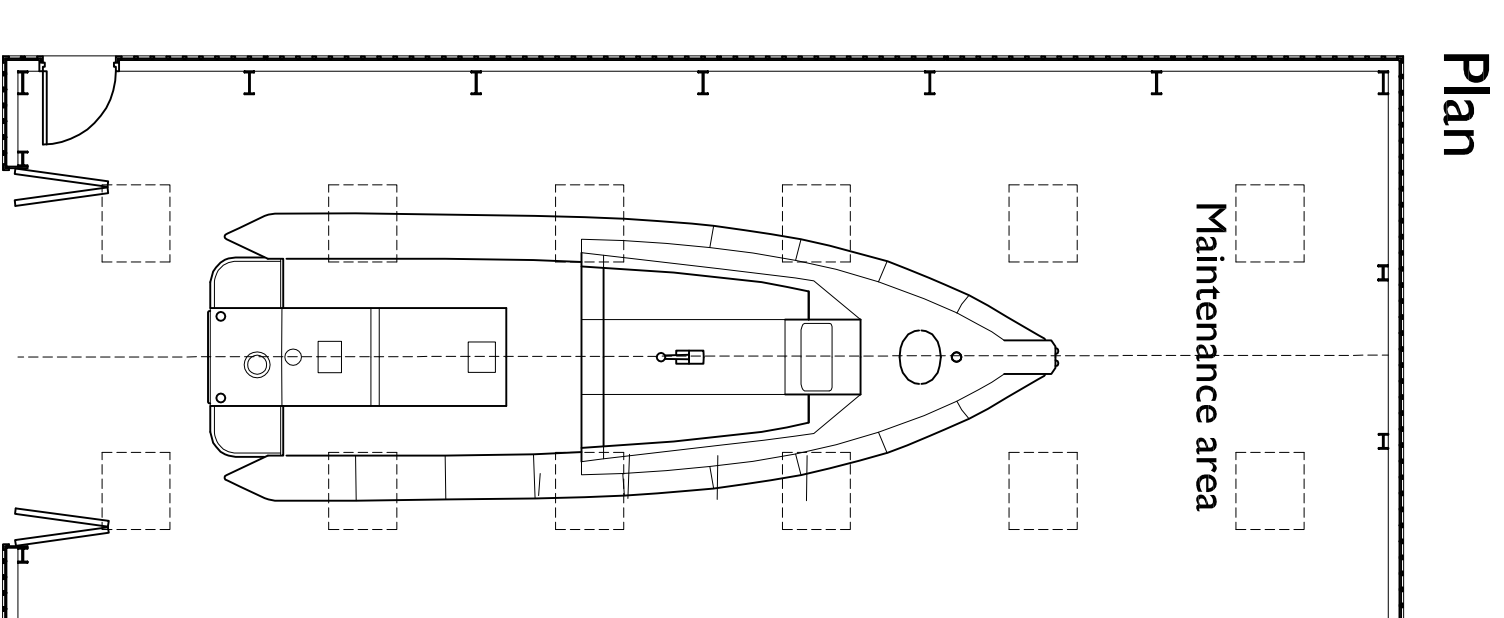
West Elevation



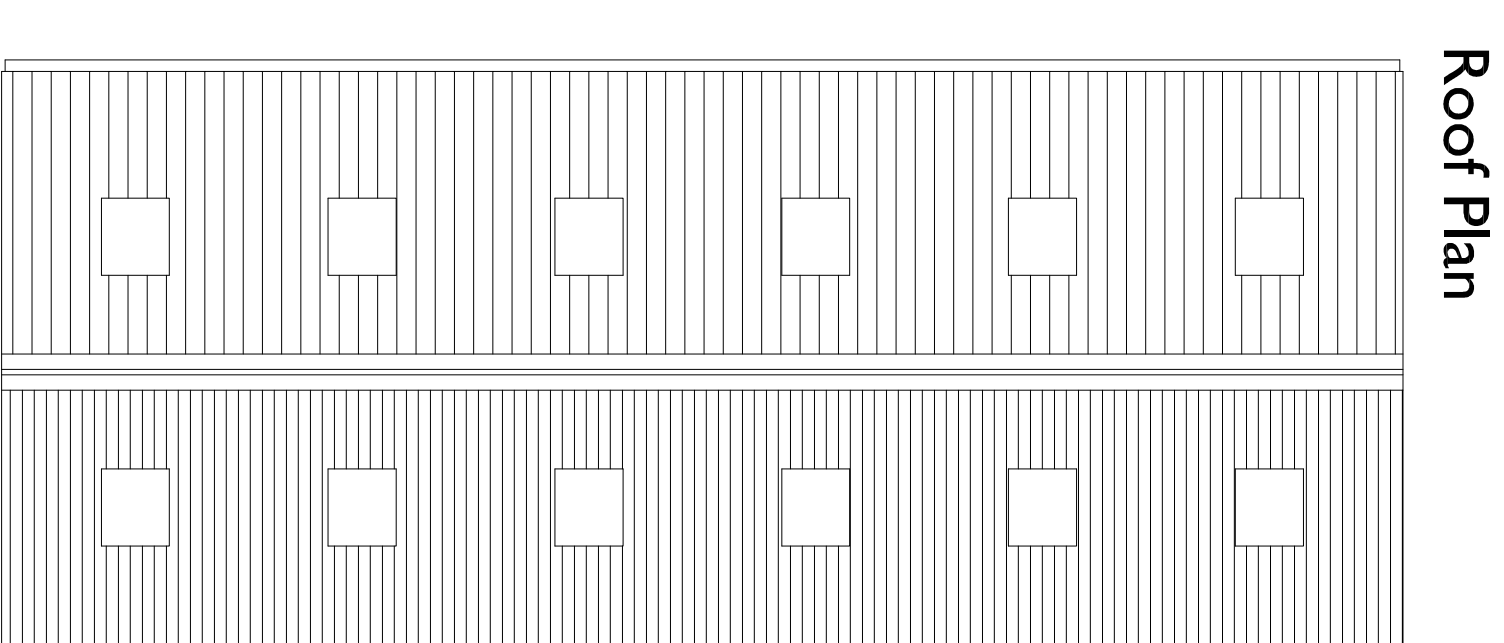
North Elevation



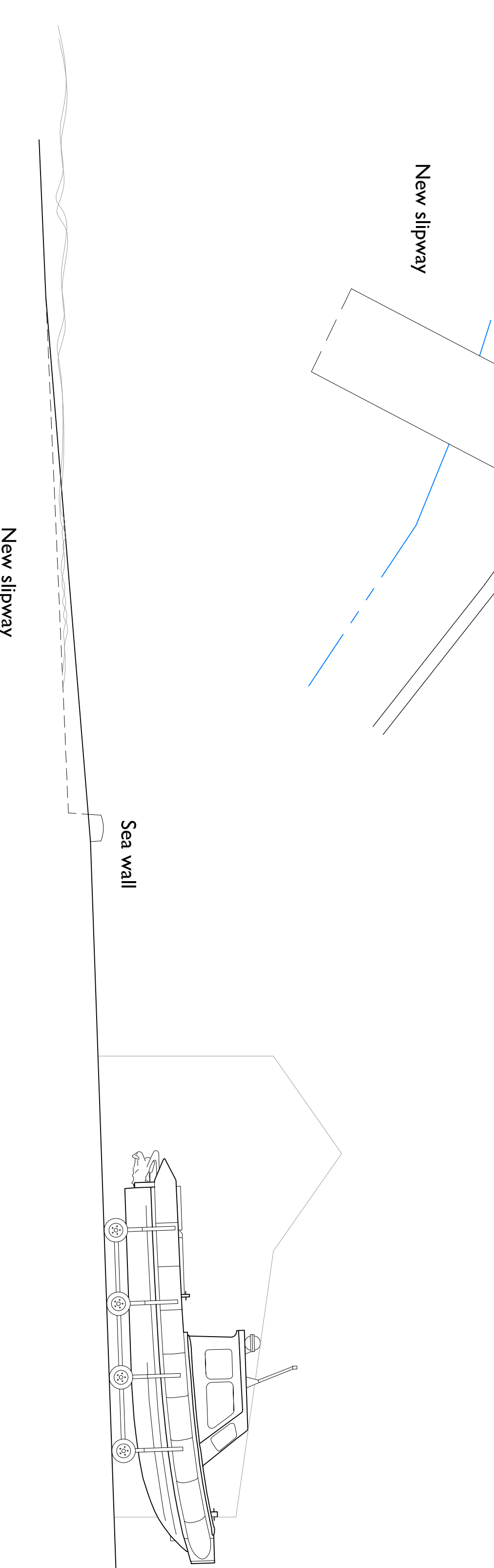
Site Plan 1:200



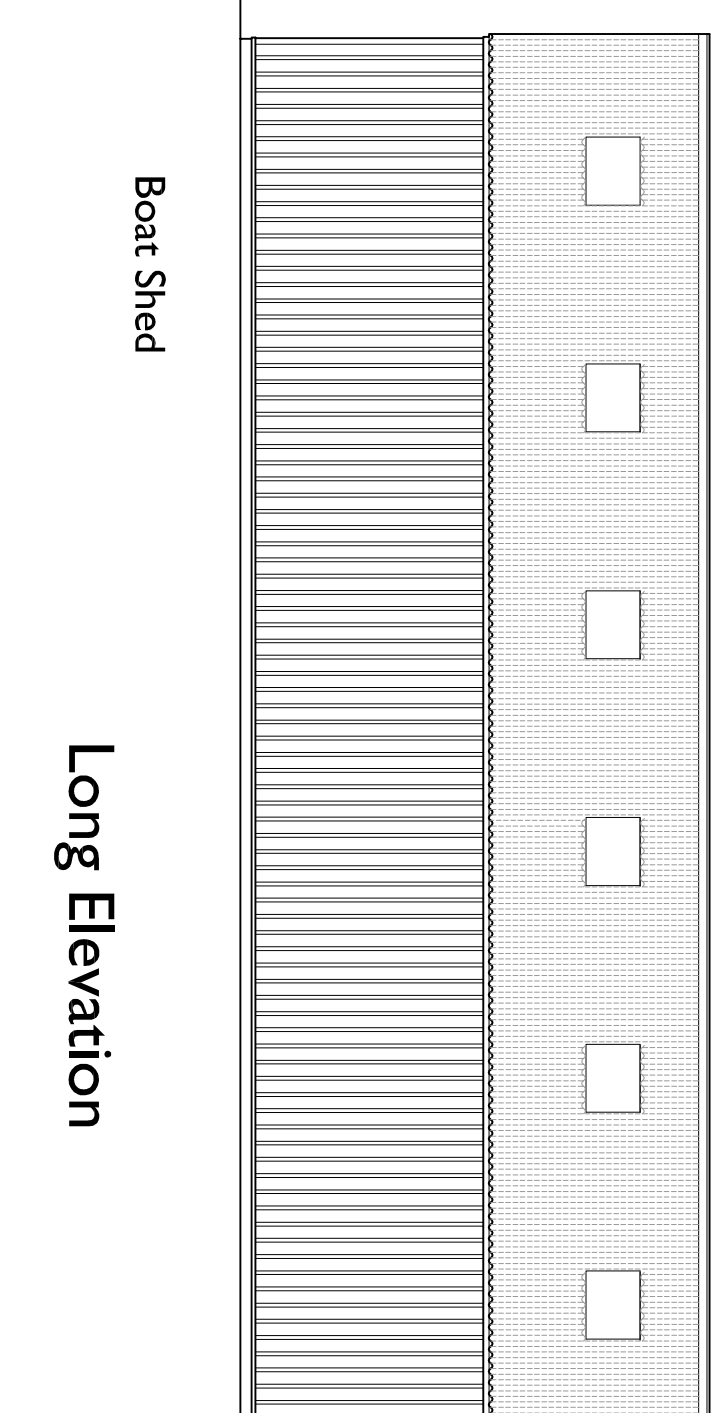
Plan



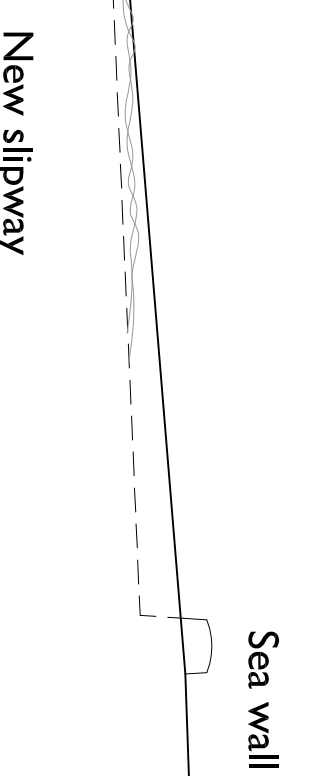
Roof Plan



Long Elevation



Boat Shed



Sea wall

New slipway

Rev. B - 29/04/16

Rev. A - Slipway altered - 28/07/15

Do not scale from this drawing use figured dimensions only

PROJECT Boat Shed, New Grimbsby

DRAWING Plans etc.

DRAWING NO. 3815-PL-01

SCALE 1:100 @ A1

DATE Jul 2015

**llewellyn
harker**

ARCHITECTS