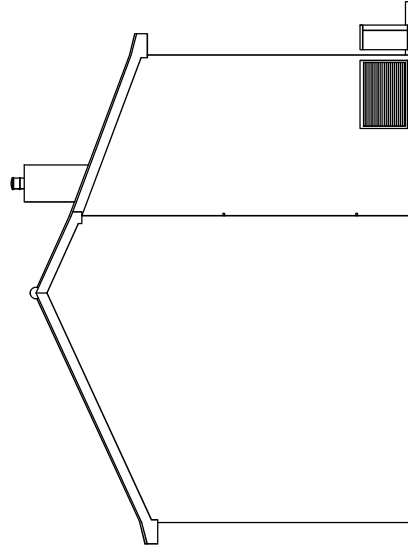
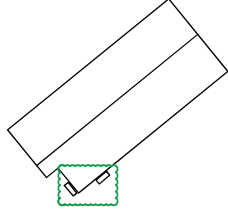


RECEIVED

By Liv Rickman at 10:23 am, Apr 14, 2022

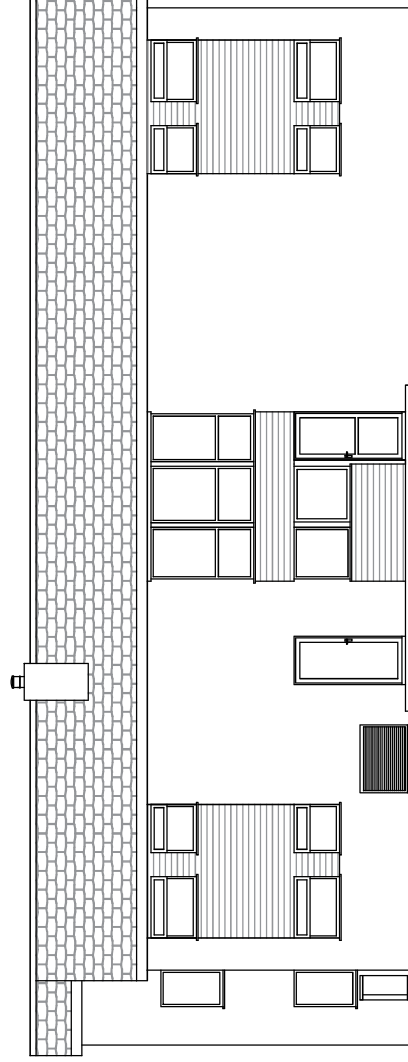


1 North-West Elevation
1:100

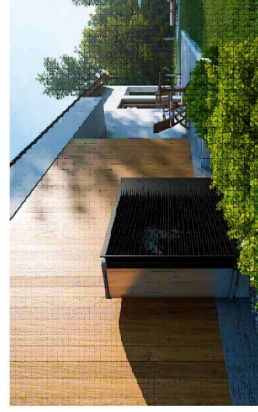
Proposal

Installation of 2nr floor mounted Air Source Heat Pumps (Air to water)

- Manufacturer: Daikin
- Model: Daikin Altherma 3 H HT
- Model No: EPRA16DV3
- Dimensions: H-990mm W-1270mm D-460mm



2 South-West Elevation
1:100



Currie & Brown

Poseidon House, Neptune Park,
Maxwell Road, Plymouth, PL4 0SN
United Kingdom

Tel: 01752 273473 , Fax: 01752 257755, www.curriebrown.com

Client

Council of the Isles of Scilly

Title

Ennor Flats Proposed Elevations

Project

Ennor Flats - Air Source Heat Pumps

A	13.04.22	Relocation of 1nr ASHP	Drawn	AH
	Date	08/04/2022	Checked	TH
	Scale	1:100 @ A3	Drwg No.	tbc-02
	Rev			A