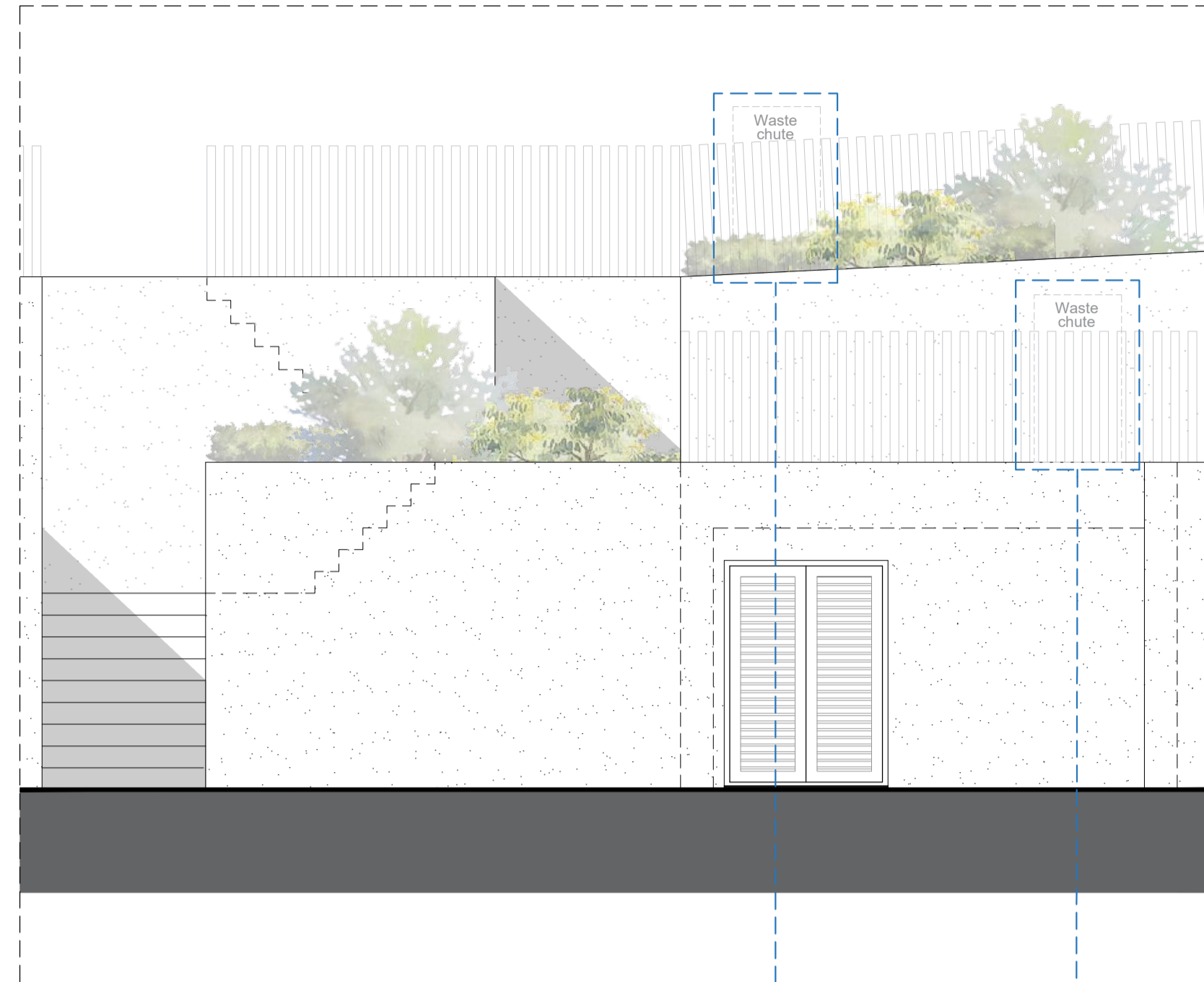
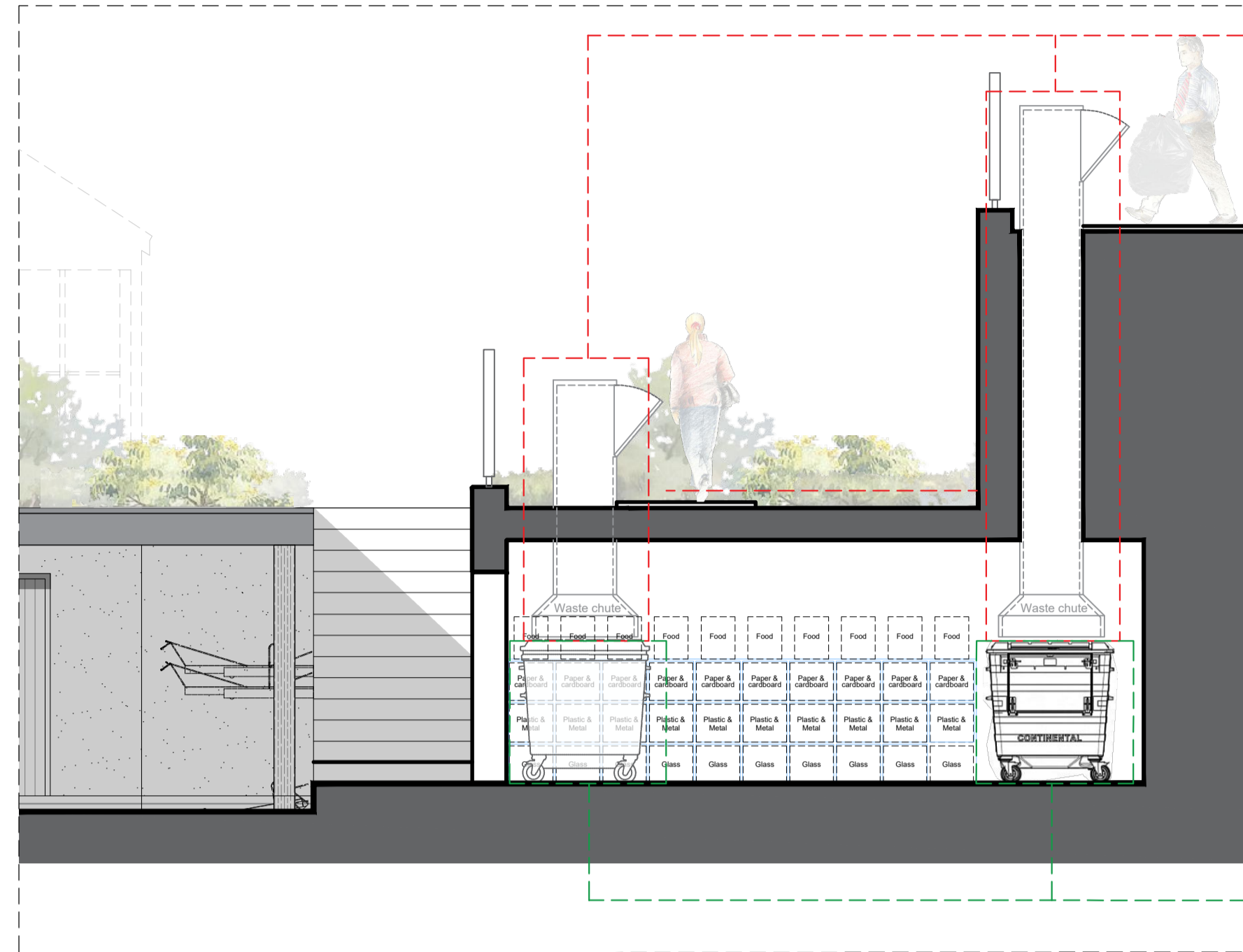


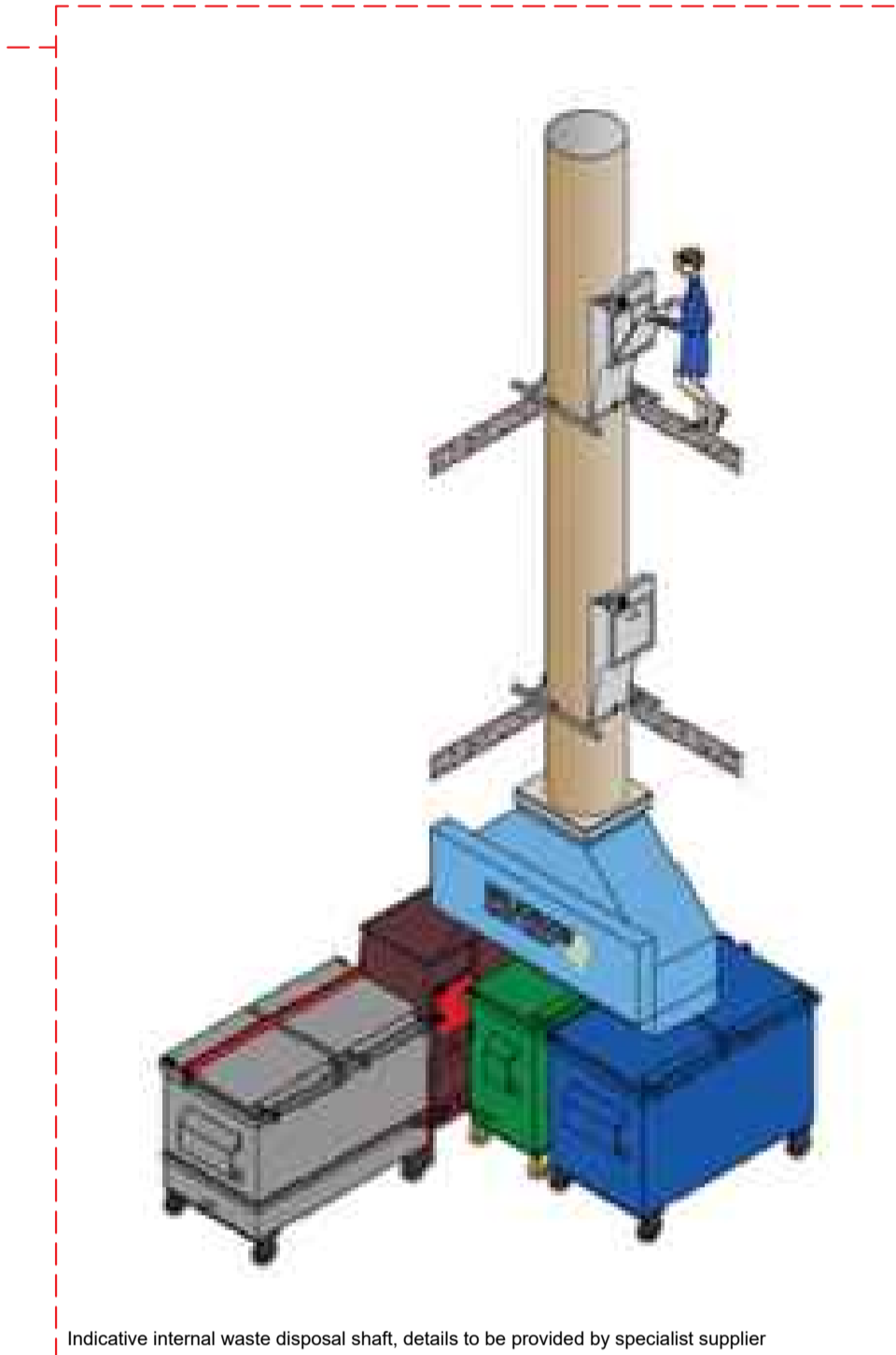
**RECEIVED**  
By Liv Rickman at 10:56 am, Aug 22, 2024



South Elevation (car park)



Communal bin store section



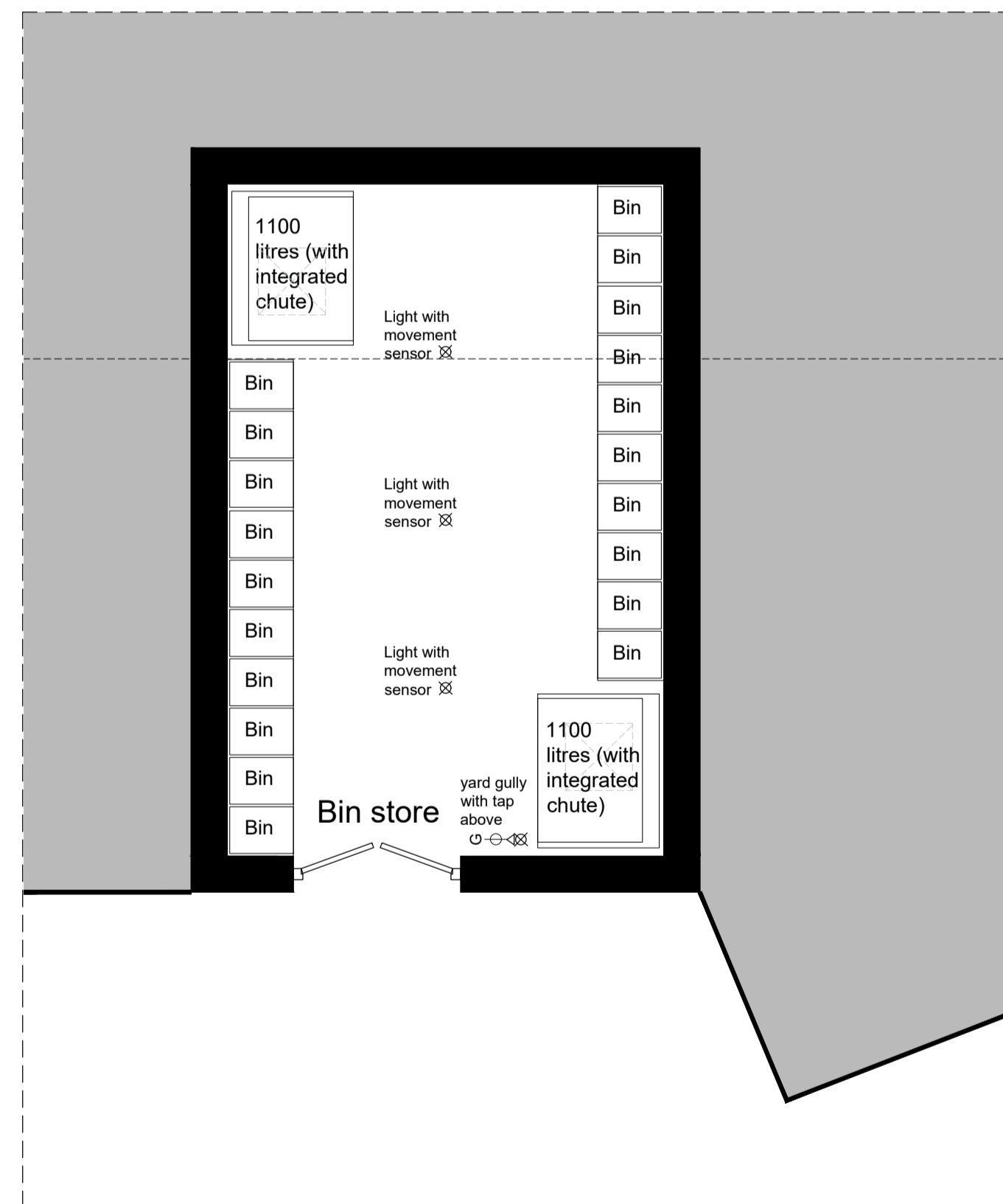
Indicative internal waste disposal shaft, details to be provided by specialist supplier

Waste shaft example

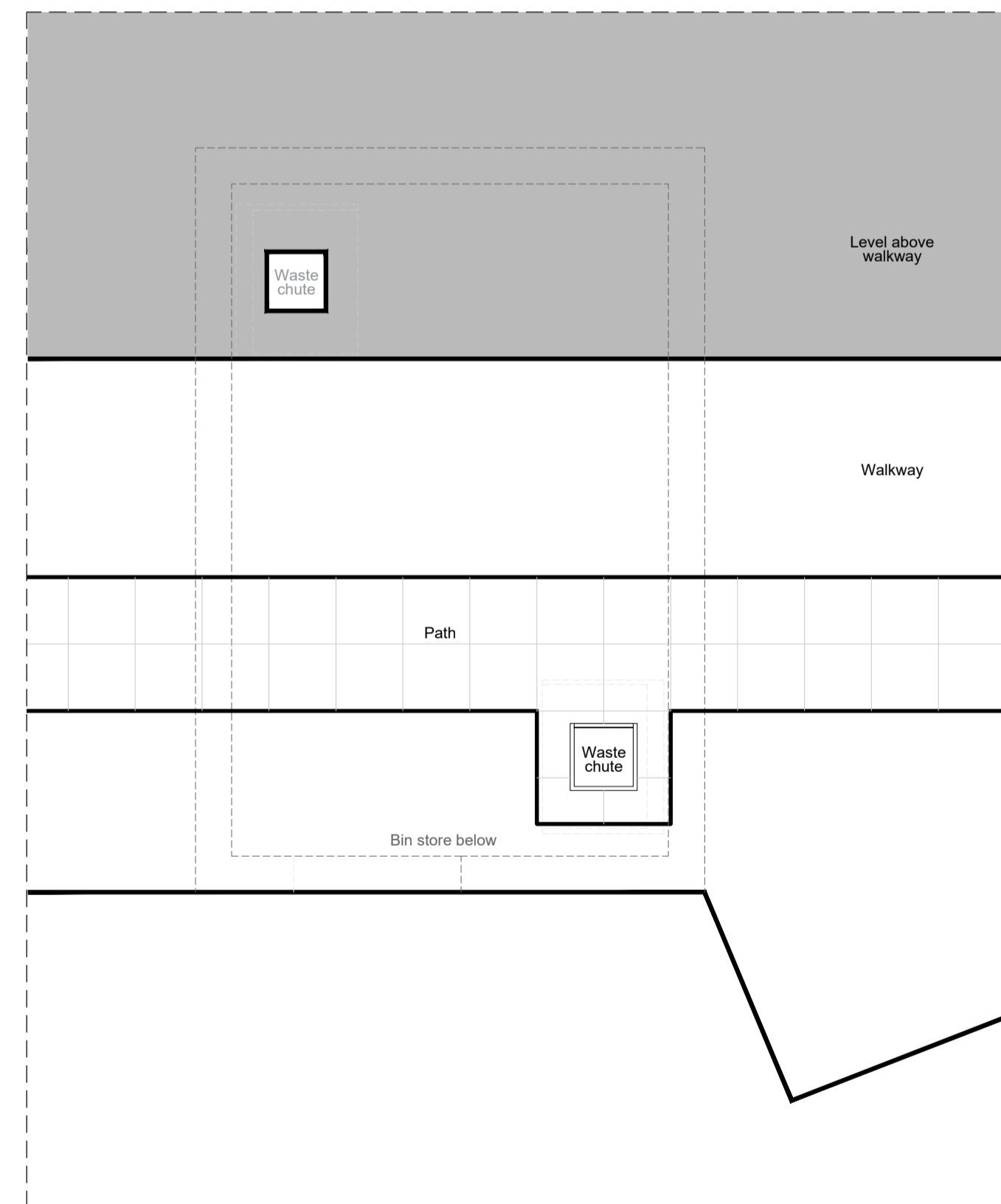


Indicative external waste "drop box", details to be provided by specialist supplier

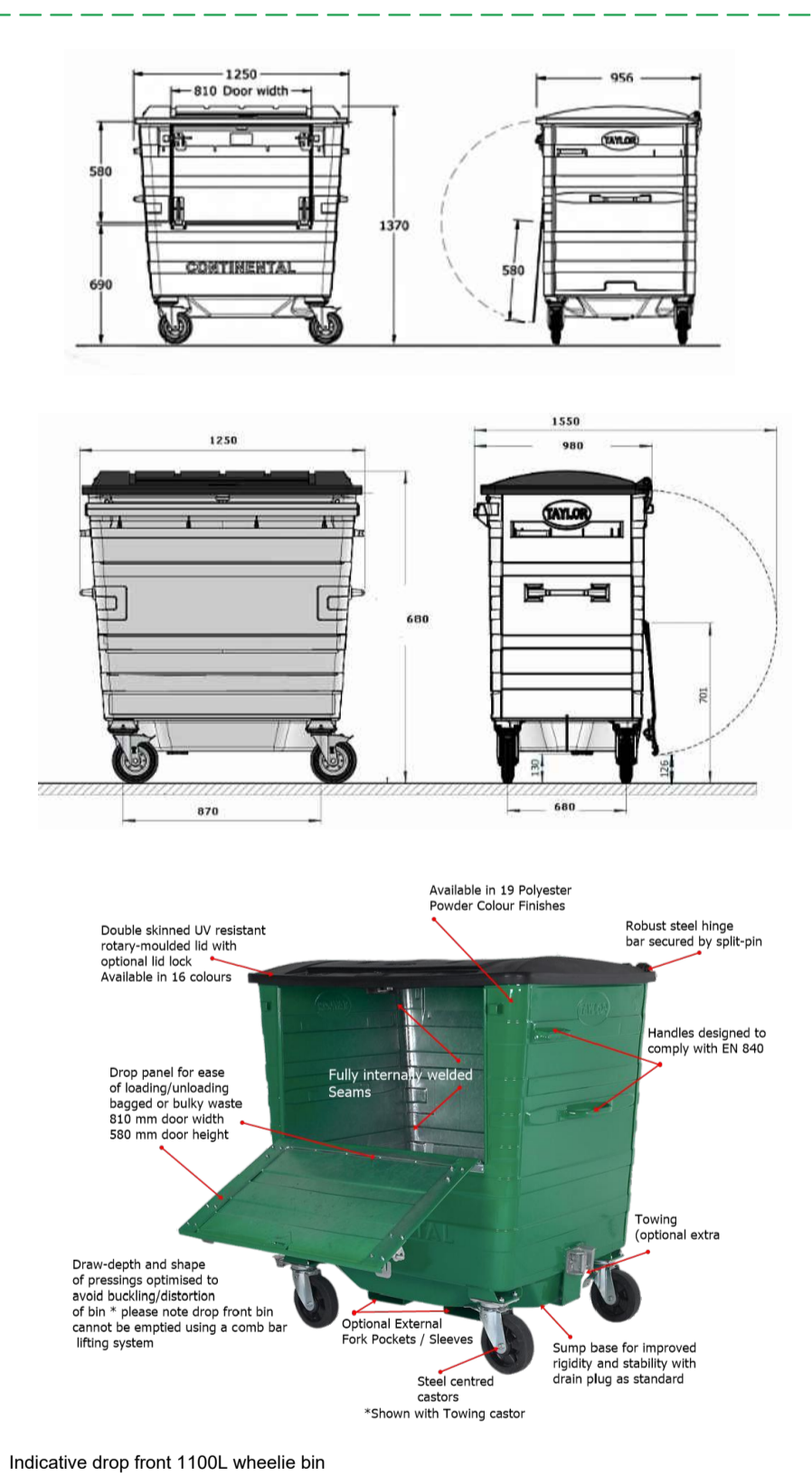
Drop box example



Plan - Bin store below path



Plan - Path above bin store



Indicative drop front 1100L wheellie bin

1100L Bin example

Design to comply with Approved document H:

- 30m maximum distance from residence to store/ shute
- 25m maximum distance from waste store to waste collection point