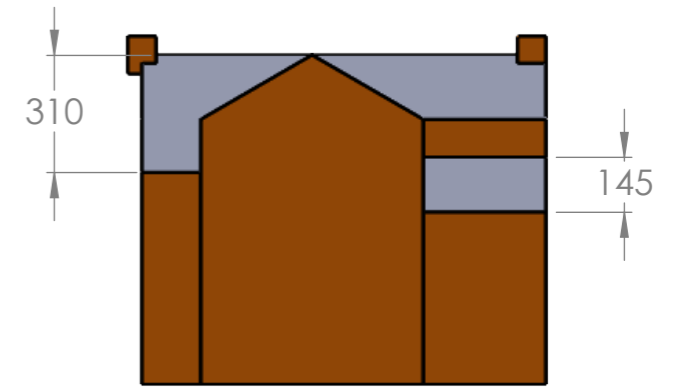
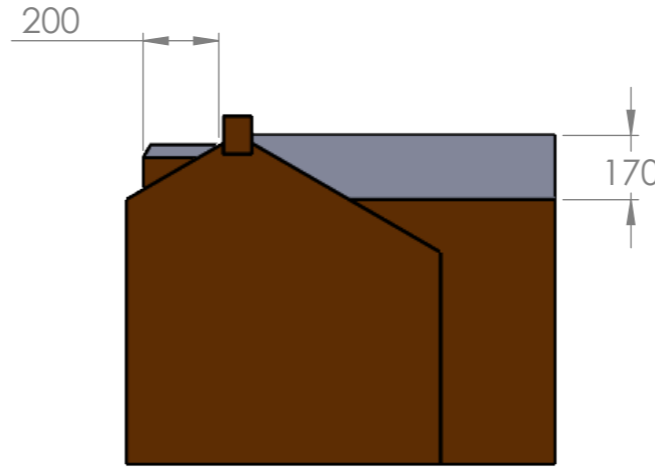
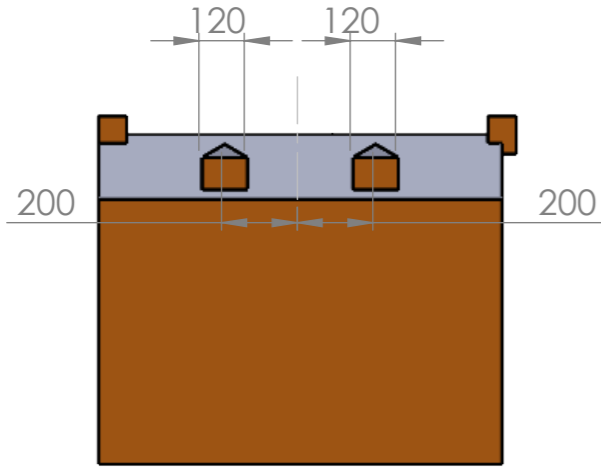
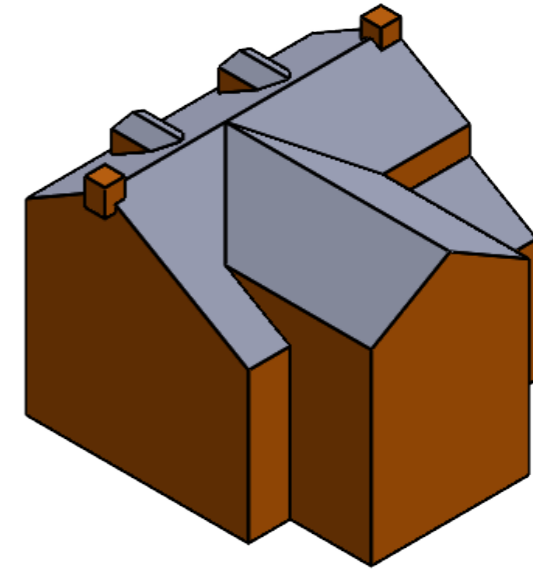
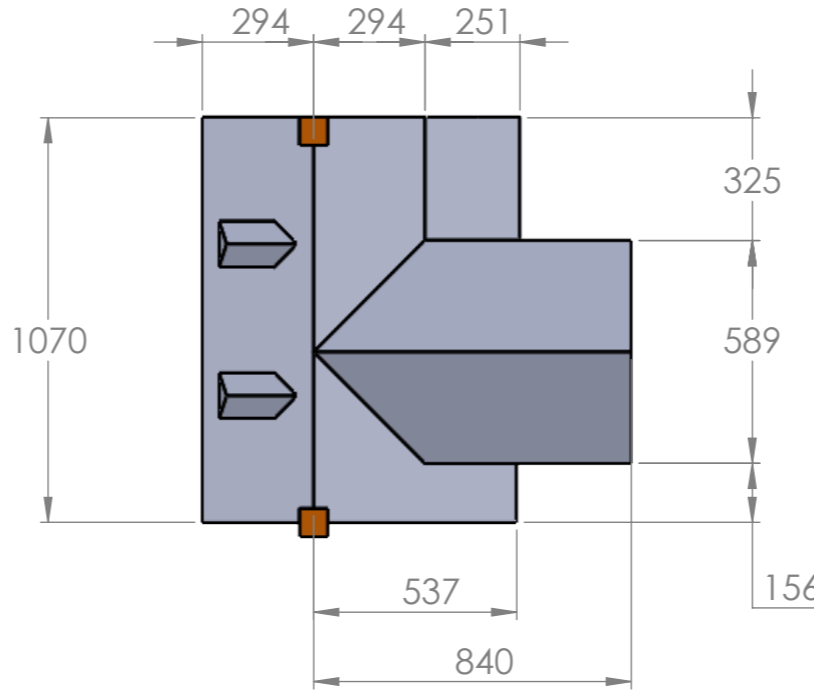
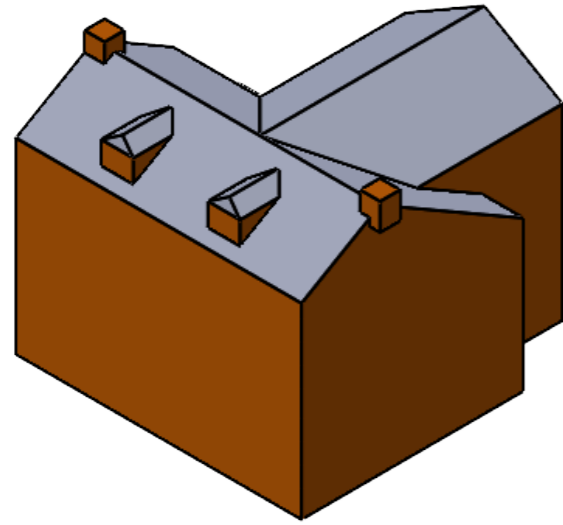
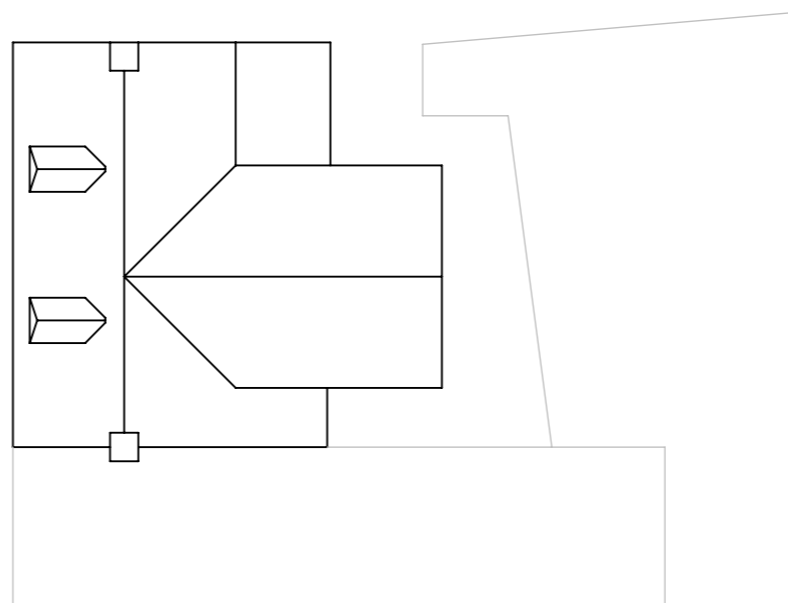


Proposed Natural Slate Roof to replace all scantle slate

Areas shown in grey



N



Proposed Roof Detail  
Riviera House  
The Parade  
St. Mary's  
Isles of Scilly

Mr M Hampton & Mrs D Ethheridge

Scale 1:200  
Dims in cm

Date 6th May 2024

**RECEIVED**

By Liv Rickman at 4:56 pm, Jun 17, 2024